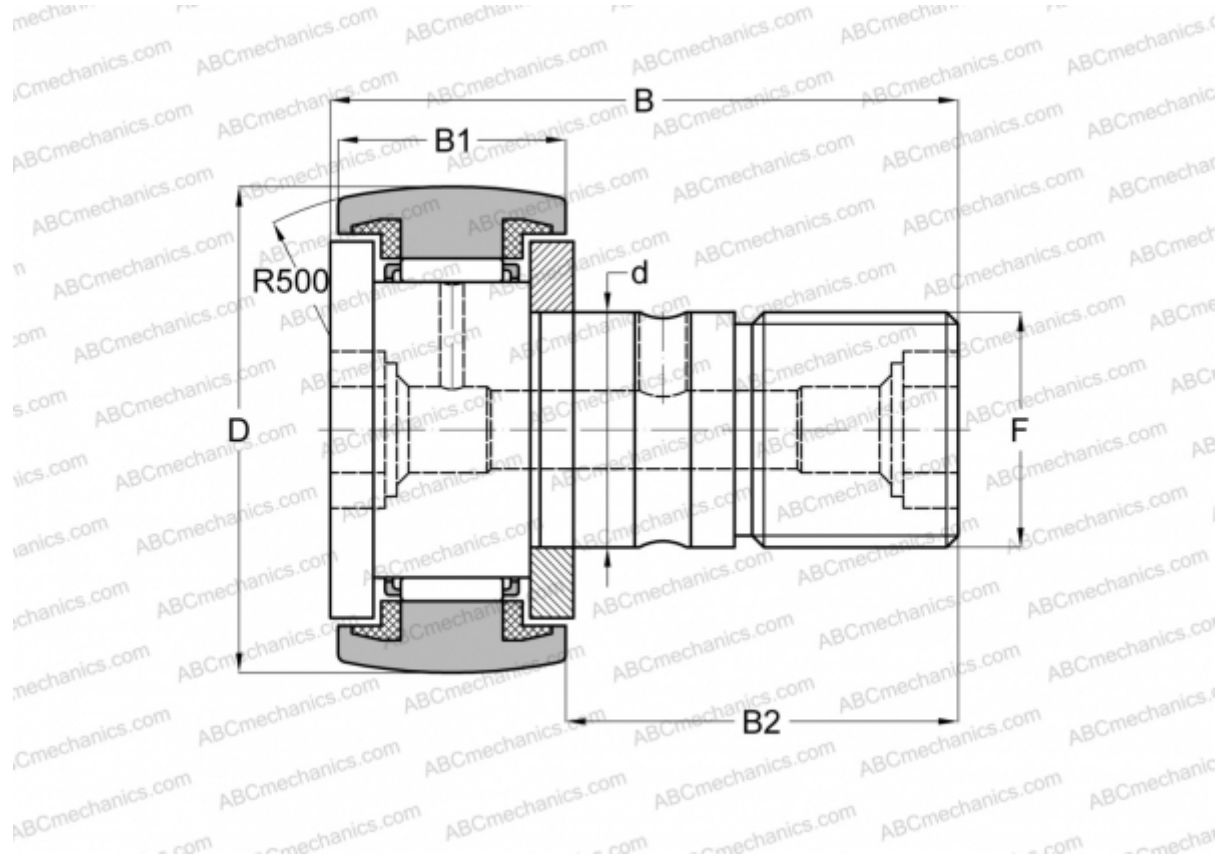


## CF 12-1 UUR IKO

Cam followers

TYPE: Roller bearings, Stud type track rollers, With axial guidance, sealing rings on both sides



### Technical specification

#### DIMENSIONS, MM

d	12,000
D	32,000
B	40,200
B1	14,000
B2	25,000
F	M12x1.5

**WEIGHT, KG** 0,105

**MANUFACTURER** [IKO](#)

#### INTERCHANGE

ABC	<a href="#">KR 32 PP</a>
FAG	<a href="#">KR 32 C2RS/ NAKD 32</a>
INA	<a href="#">KR 32 PP</a>
SKF	<a href="#">KR 32 PPA</a>

#### INTERCHANGE

McGill [MCFR-32-S](#)

#### CALCULATION DATA

Basic dynamic load rating, C	7,910 kN
Basic static load rating, Co	9,790 kN