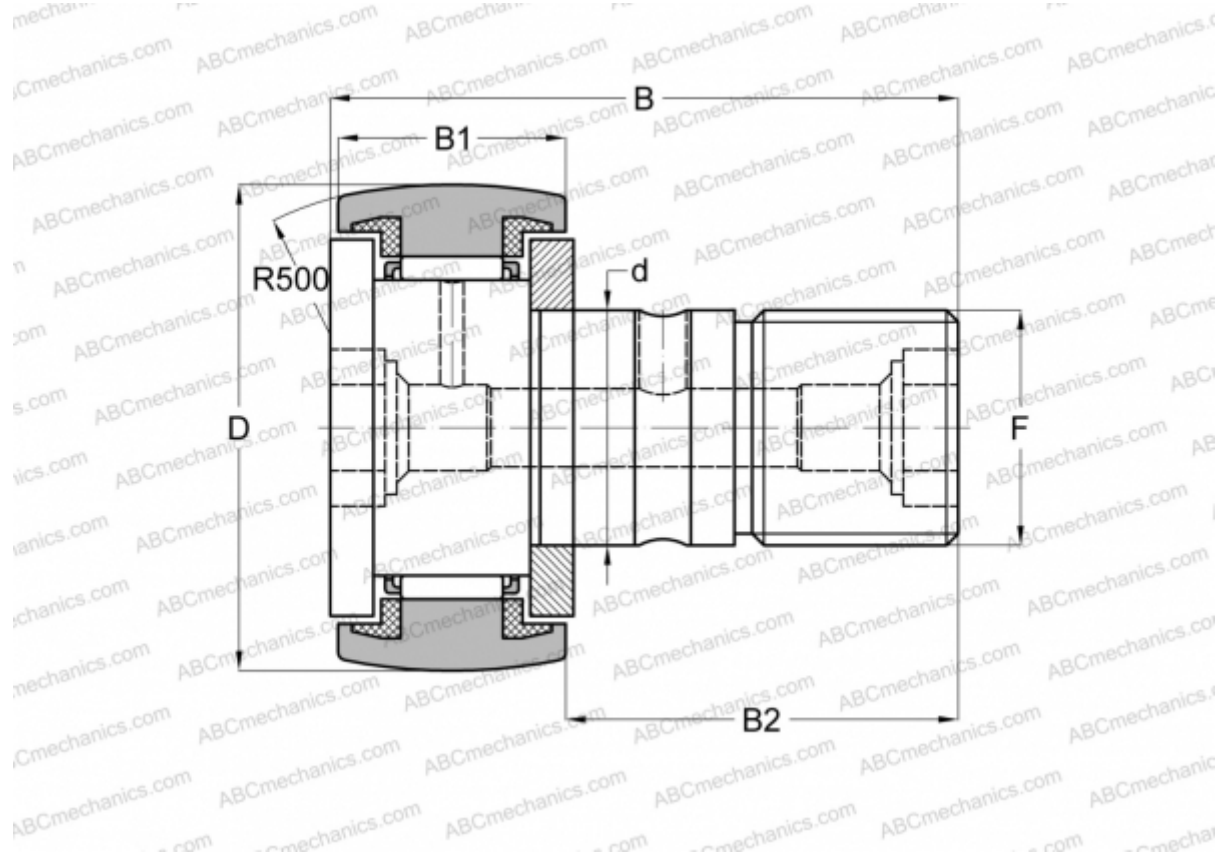


## KR 40 PP ABC

Cam followers

TYPE: Roller bearings, Stud type track rollers, With axial guidance, sealing rings on both sides



### Technical specification

#### DIMENSIONS, MM

d	18,000
D	40,000
B	58,000
B1	20,000
B2	36,500
F	M18x1.5

**WEIGHT, KG** 0,255

**MANUFACTURER** [ABC](#)

#### INTERCHANGE

INA	<a href="#">KR 40 PP</a>
SKF	<a href="#">KR 40 PPA</a>
IKO	<a href="#">CF 18 UUR</a>
McGill	<a href="#">MCFR-40-S</a>