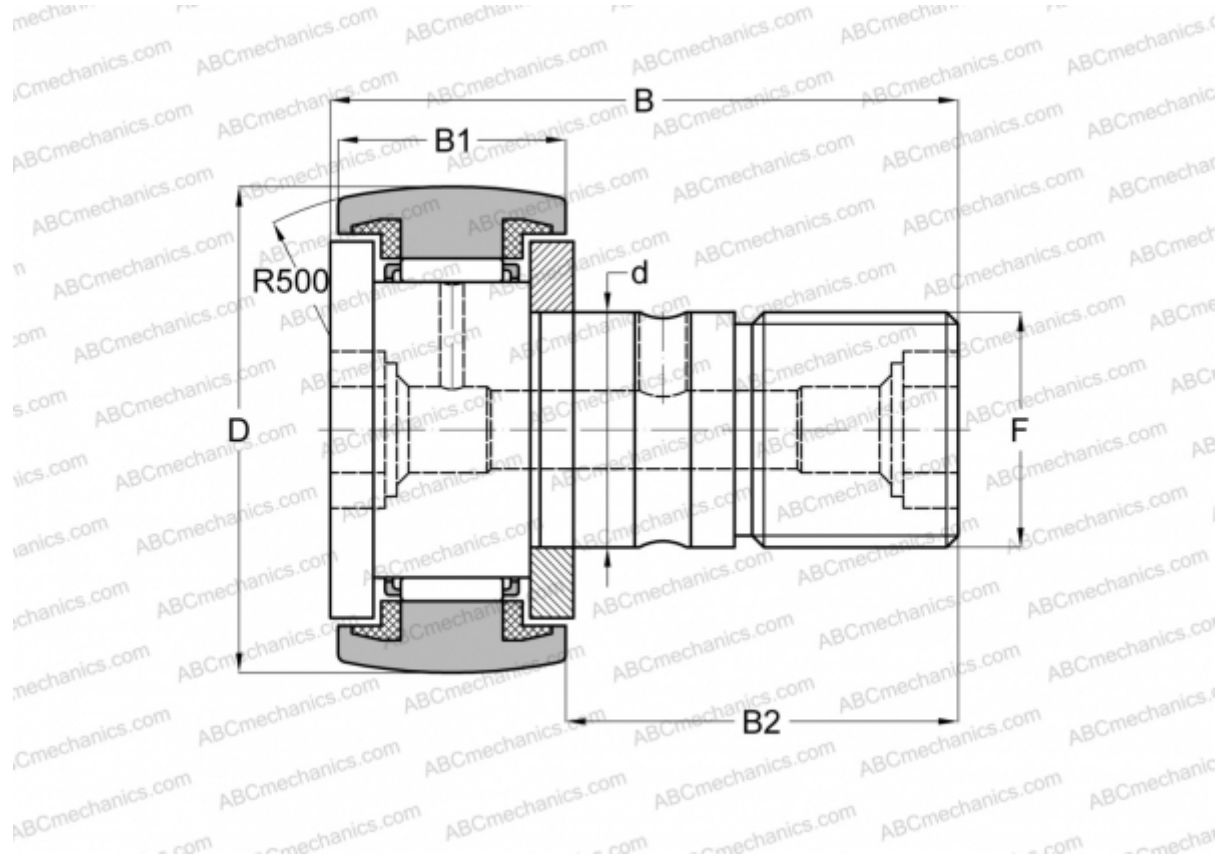


## KR 40 PPA SKF

Cam followers

TYPE: Roller bearings, Stud type track rollers, With axial guidance, sealing rings on both sides



### Technical specification

#### DIMENSIONS, MM

d	18,000
D	40,000
B	58,000
B1	20,000
B2	36,500
F	M 18x1.5

**WEIGHT, KG** 0,239

**MANUFACTURER** [SKF](#)

#### INTERCHANGE

ABC	<a href="#">KR 40 PP</a>
INA	<a href="#">KR 40 PP</a>
IKO	<a href="#">CF 18 UUR</a>
McGill	<a href="#">MCFR-40-S</a>

#### CALCULATION DATA

Basic dynamic load rating, C	10,500 kN
Basic static load rating, Co	14,600 kN
Fatigue load limit, Pu	1,730 kN
Limiting speed	3400 r/min