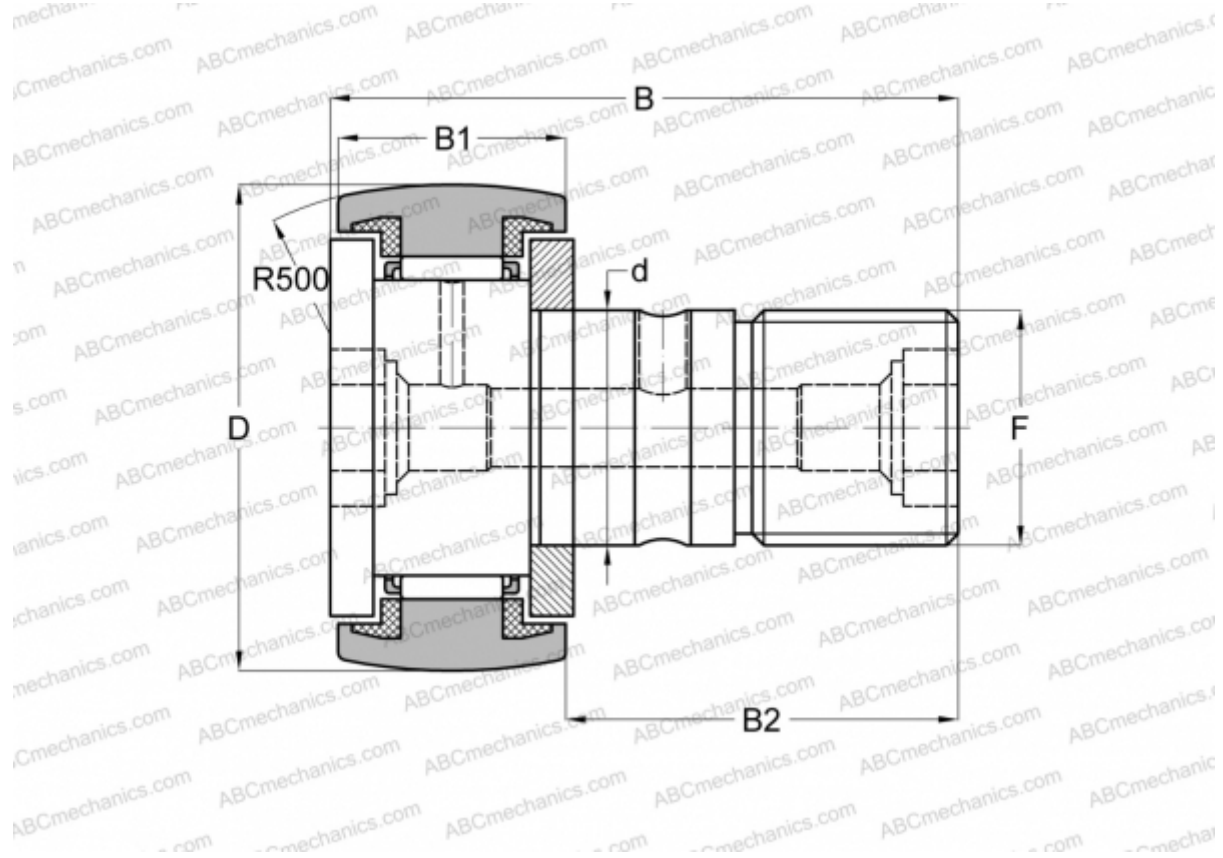


## KR 90 PP ABC

Cam followers

TYPE: Roller bearings, Stud type track rollers, With axial guidance, sealing rings on both sides



### Technical specification

#### DIMENSIONS, MM

d	30,000
D	90,000
B	100,000
B1	35,000
B2	63,000
F	M30x1.5

**WEIGHT, KG** 2,032

**MANUFACTURER** [ABC](#)

#### INTERCHANGE

INA	<a href="#">KR 90 PP</a>
SKF	<a href="#">KR 90 PPA</a>
IKO	<a href="#">CF 30-2 UUR</a>
McGill	<a href="#">MCFR-90-S</a>