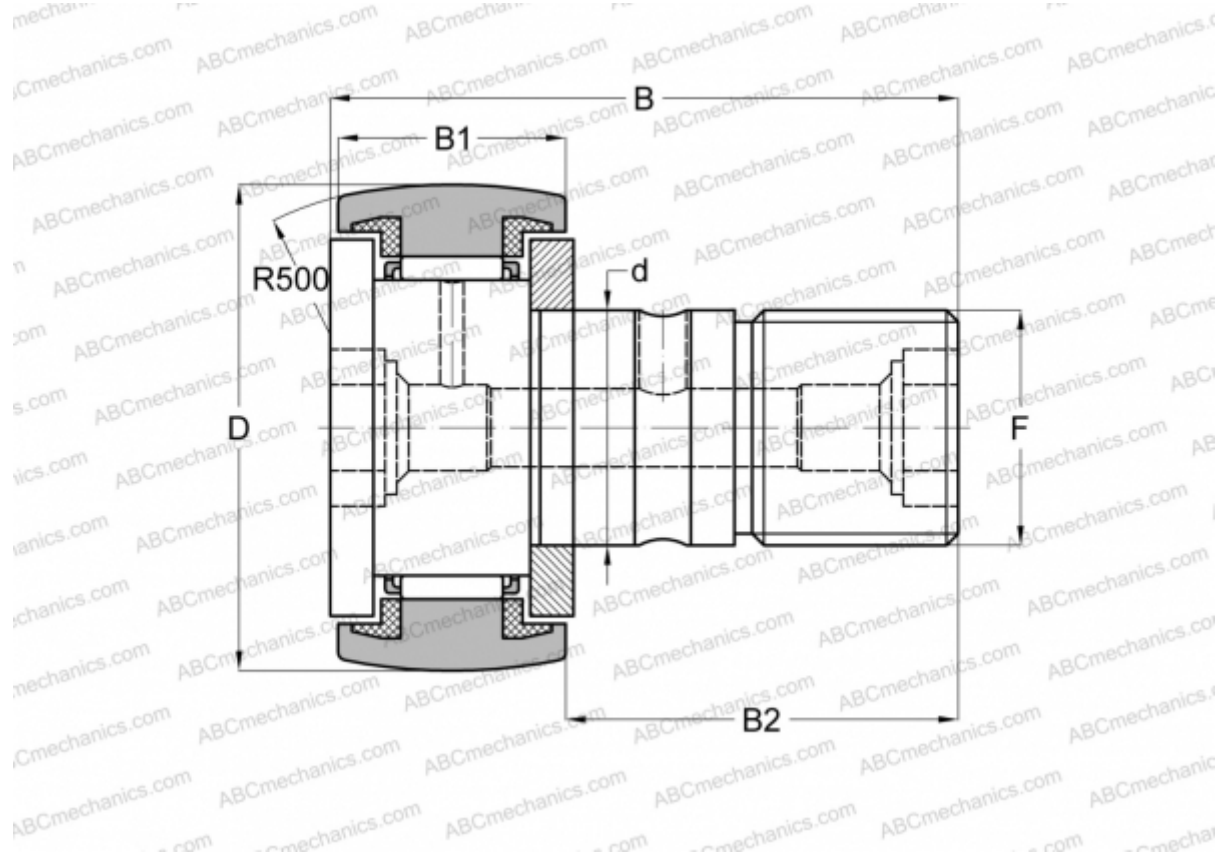


KR 90 PPA SKF

Cam followers

TYPE: Roller bearings, Stud type track rollers, With axial guidance, sealing rings on both sides



Technical specification

DIMENSIONS, MM

d	30,000
D	90,000
B	100,000
B1	35,000
B2	63,000
F	M 30x1.5

WEIGHT, KG 1,975

MANUFACTURER [SKF](#)

INTERCHANGE

ABC	KR 90 PP
INA	KR 90 PP
IKO	CF 30-2 UUR
McGill	MCFR-90-S

CALCULATION DATA

Basic dynamic load rating, C	38,000 kN
Basic static load rating, Co	76,500 kN
Fatigue load limit, Pu	9,500 kN
Limiting speed	1800 r/min