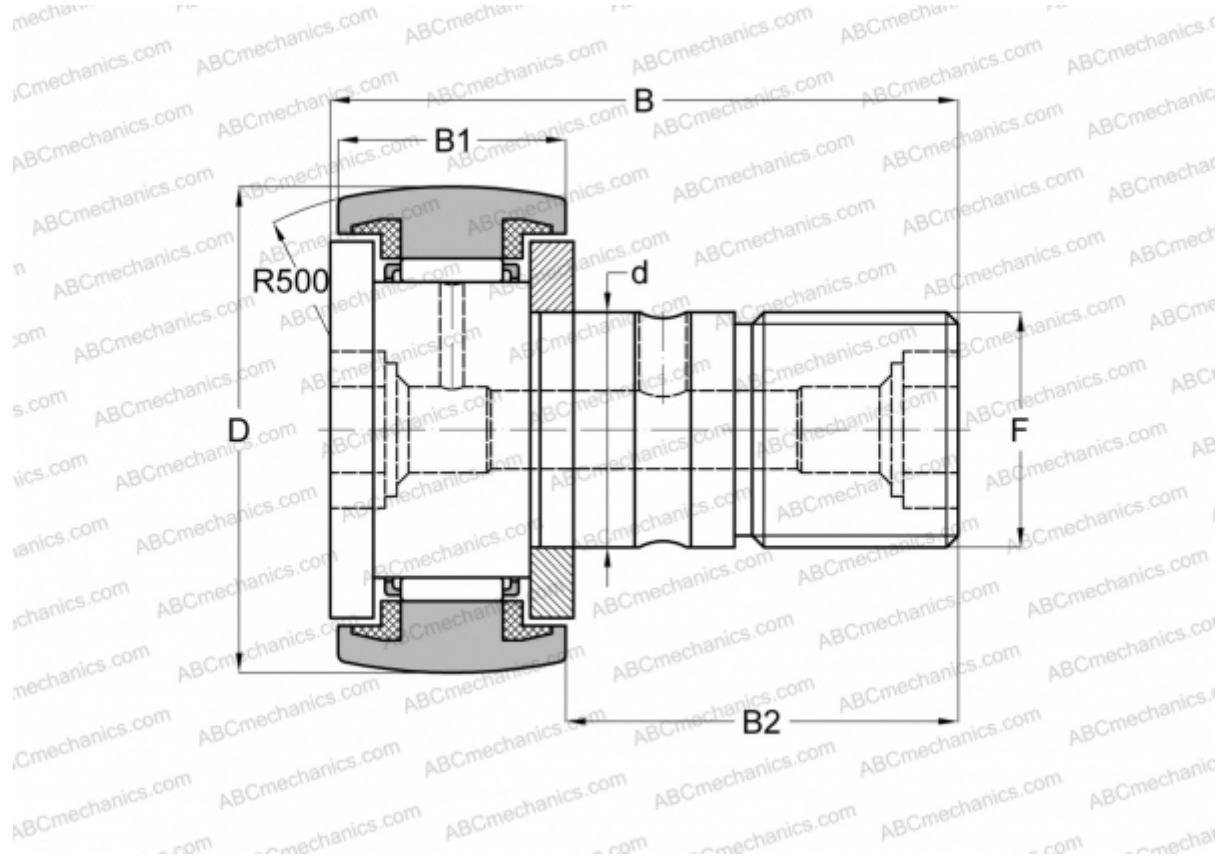


MCFR-90-S McGill

Cam followers

TYPE: Roller bearings, Stud type track rollers, With axial guidance, sealing rings on both sides



Technical specification

DIMENSIONS, MM

d	30,000
D	90,000
B	100,000
B1	35,000
B2	63,000
F	M30x1.5

WEIGHT, KG 2,032

MANUFACTURER [McGill](#)

INTERCHANGE

ABC	KR 90 PP
INA	KR 90 PP
SKF	KR 90 PPA
IKO	CF 30-2 UUR