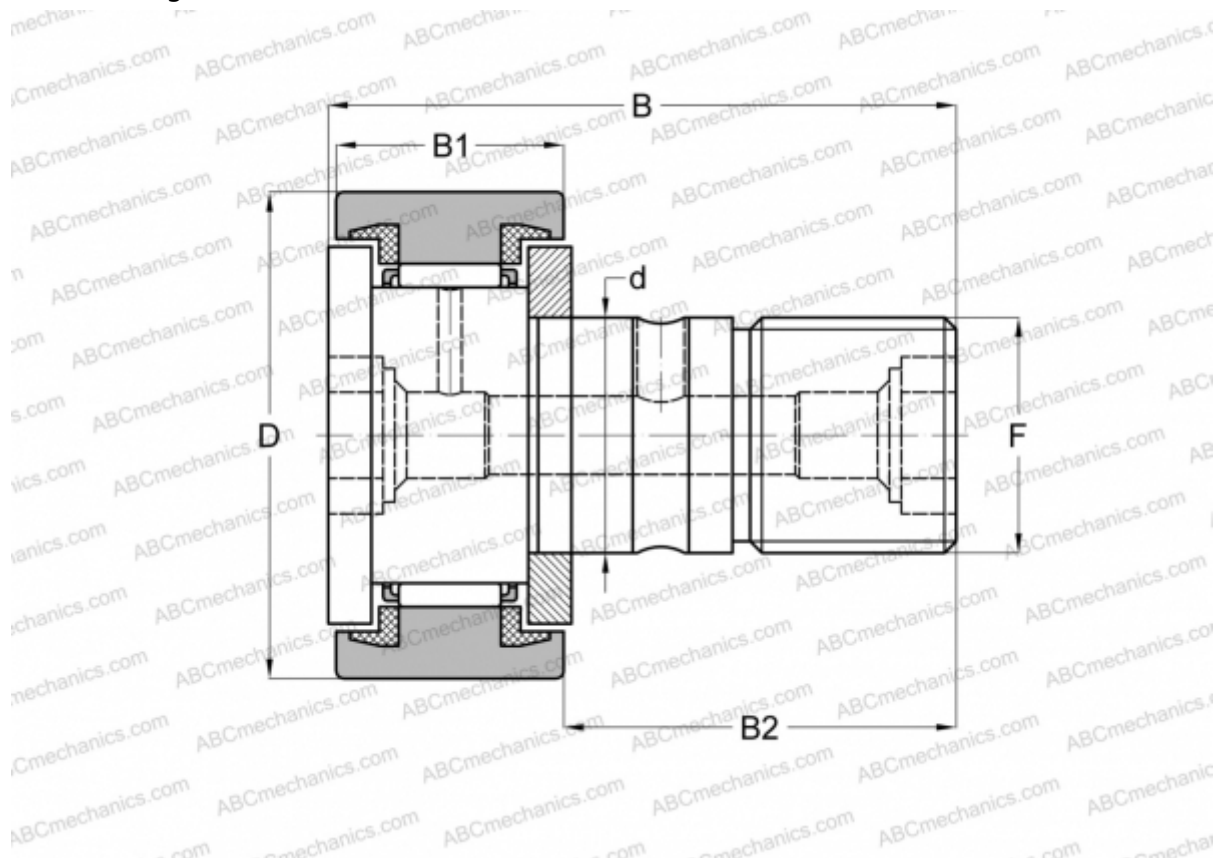


CF 4 UU ABC

Cam followers

TYPE: Roller bearings, Stud type track rollers, With axial guidance, sealing rings on both sides, cylindrical outer ring



Technical specification

DIMENSIONS, MM

| | |
|----|--------|
| d | 4,000 |
| D | 12,000 |
| B | 20,000 |
| B1 | 8,000 |
| B2 | 11,000 |
| F | M4x0.7 |

WEIGHT, KG 0,007

MANUFACTURER [ABC](#)

INTERCHANGE

| | |
|--------|----------------------------|
| IKO | CF 4 UU |
| McGill | MCFR-12-SX |