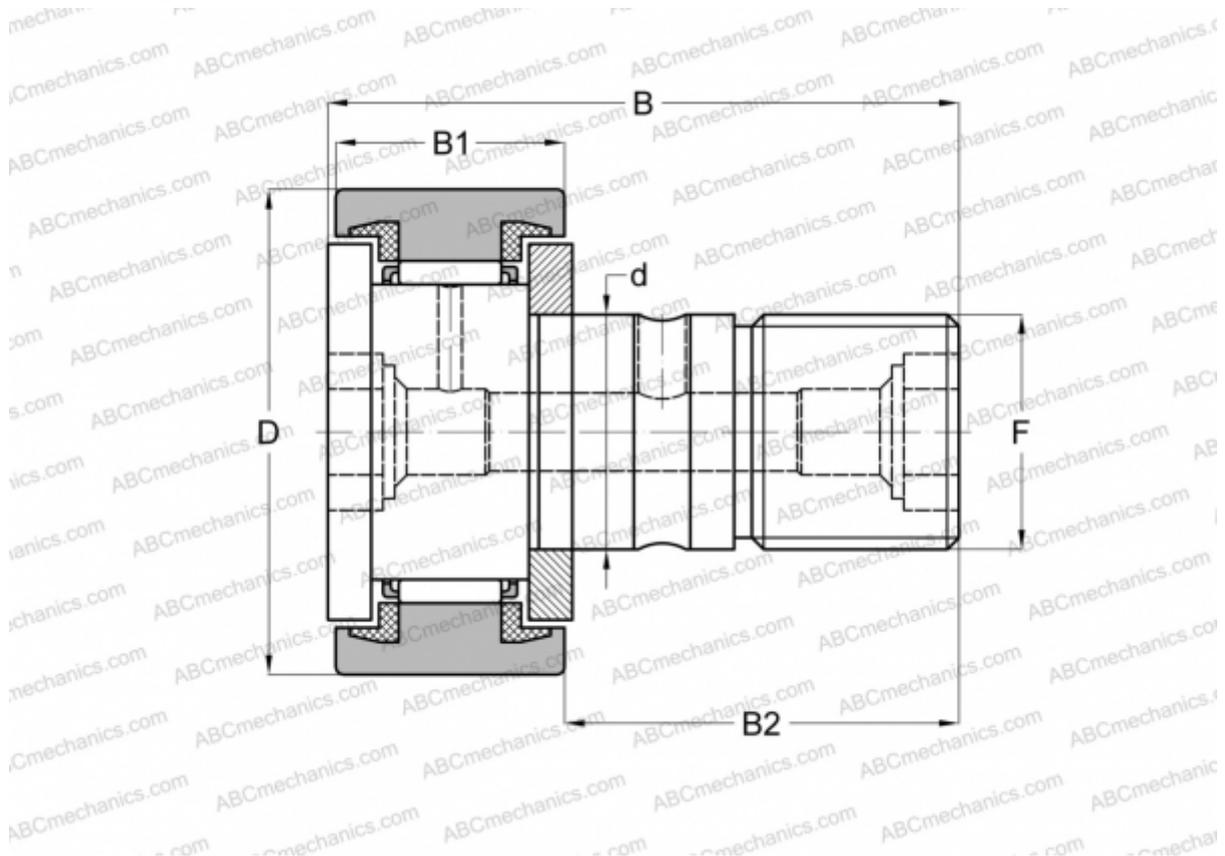


KR 16 PPX SKF

Cam followers

TYPE: Roller bearings, Stud type track rollers, With axial guidance, sealing rings on both sides, cylindrical outer ring



Technical specification

DIMENSIONS, MM

d	6,000
D	16,000
B	28,000
B1	11,000
B2	16,000
F	M6

WEIGHT, KG 0,018

MANUFACTURER [SKF](#)

INTERCHANGE

ABC	KR 16 PPX
FAG	KR 16C DZ 2RS/ NAKD 16 DZ
INA	KR 16 PPX
IKO	CF 6 UU

INTERCHANGE

McGill [MCFR-16-SX](#)

CALCULATION DATA

Basic dynamic load rating, C	3,140 kN
Basic static load rating, Co	3,200 kN
Fatigue load limit, Pu	0,345 kN
Limiting speed	6000 r/min