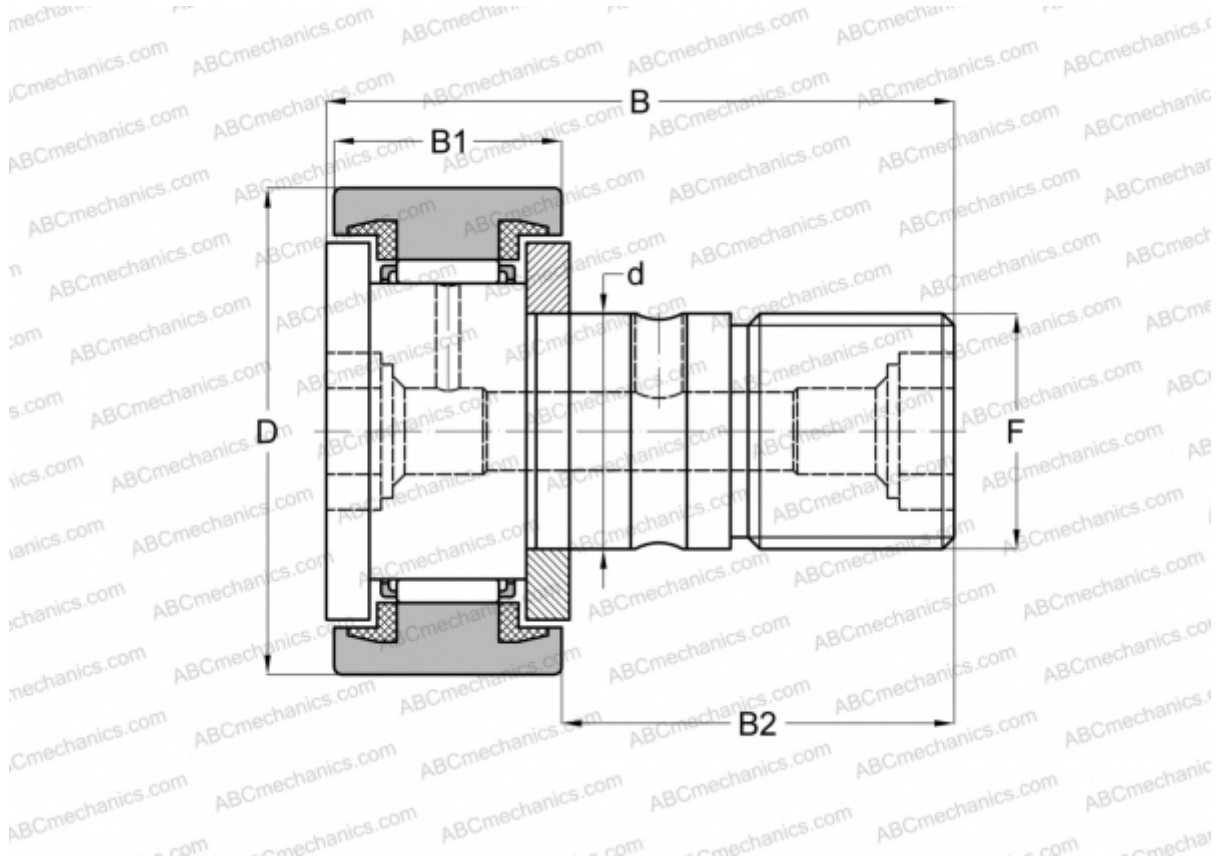


MCFR-16-SX McGill

Cam followers

TYPE: Roller bearings, Stud type track rollers, With axial guidance, sealing rings on both sides, cylindrical outer ring



Technical specification

DIMENSIONS, MM

d	6,000
D	16,000
B	28,000
B1	11,000
B2	16,000
F	M6x1

WEIGHT, KG 0,023

MANUFACTURER [McGill](#)

INTERCHANGE

ABC	KR 16 PPX
FAG	KR 16C DZ 2RS/ NAKD 16 DZ
INA	KR 16 PPX
SKF	KR 16 PPX

INTERCHANGE

IKO [CF 6 UU](#)