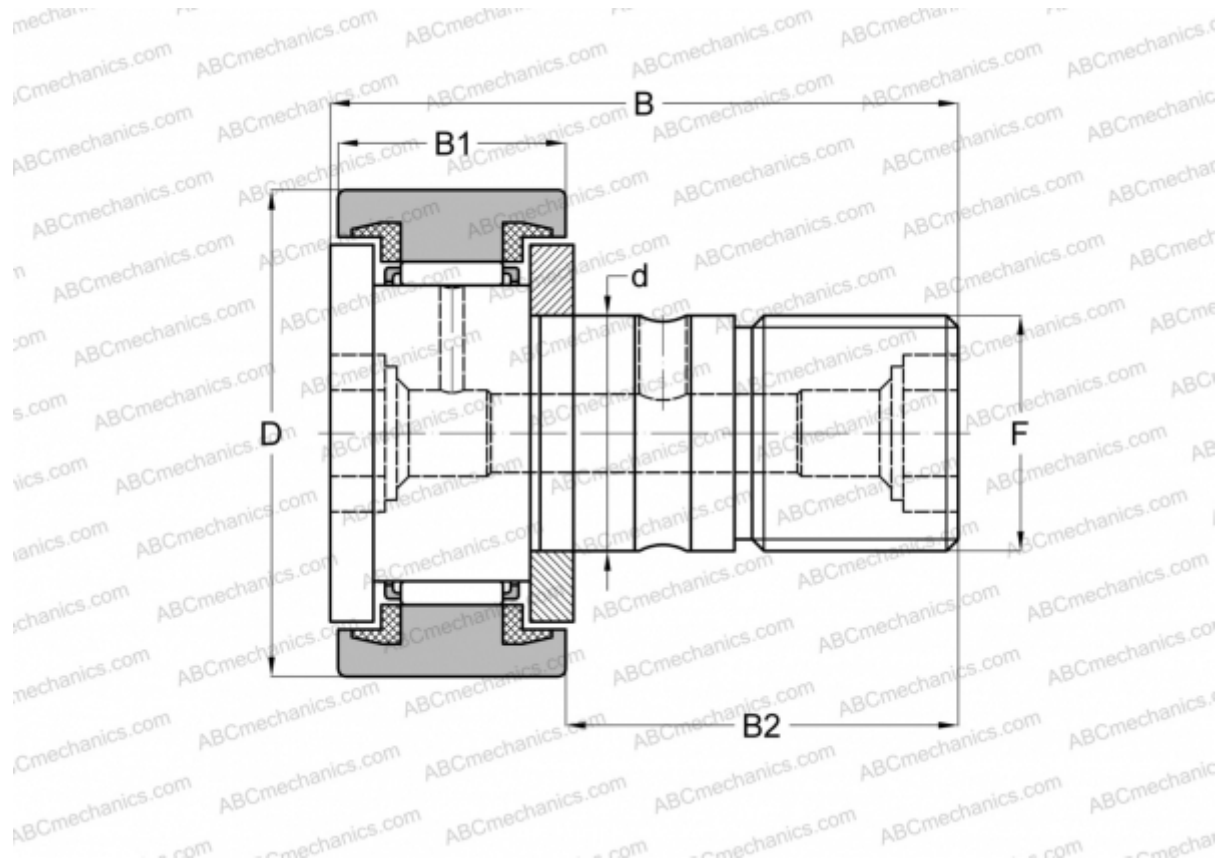


KR 19C DZ 2RS/ NAKD 19 DZ FAG

Cam followers

TYPE: Roller bearings, Stud type track rollers, With axial guidance, sealing rings on both sides, cylindrical outer ring



Technical specification

DIMENSIONS, MM

| | |
|----|---------|
| d | 8,000 |
| D | 19,000 |
| B | 32,000 |
| B1 | 11,000 |
| B2 | 20,000 |
| F | M8x1.25 |

WEIGHT, KG 0,032

MANUFACTURER [FAG](#)

INTERCHANGE

| | |
|-----|---------------------------|
| ABC | KR 19 PPX |
| INA | KR 19 PPX |
| SKF | KR 19 PPX |
| IKO | CF 8 UU |

INTERCHANGE

McGill [MCFR-19-SX](#)