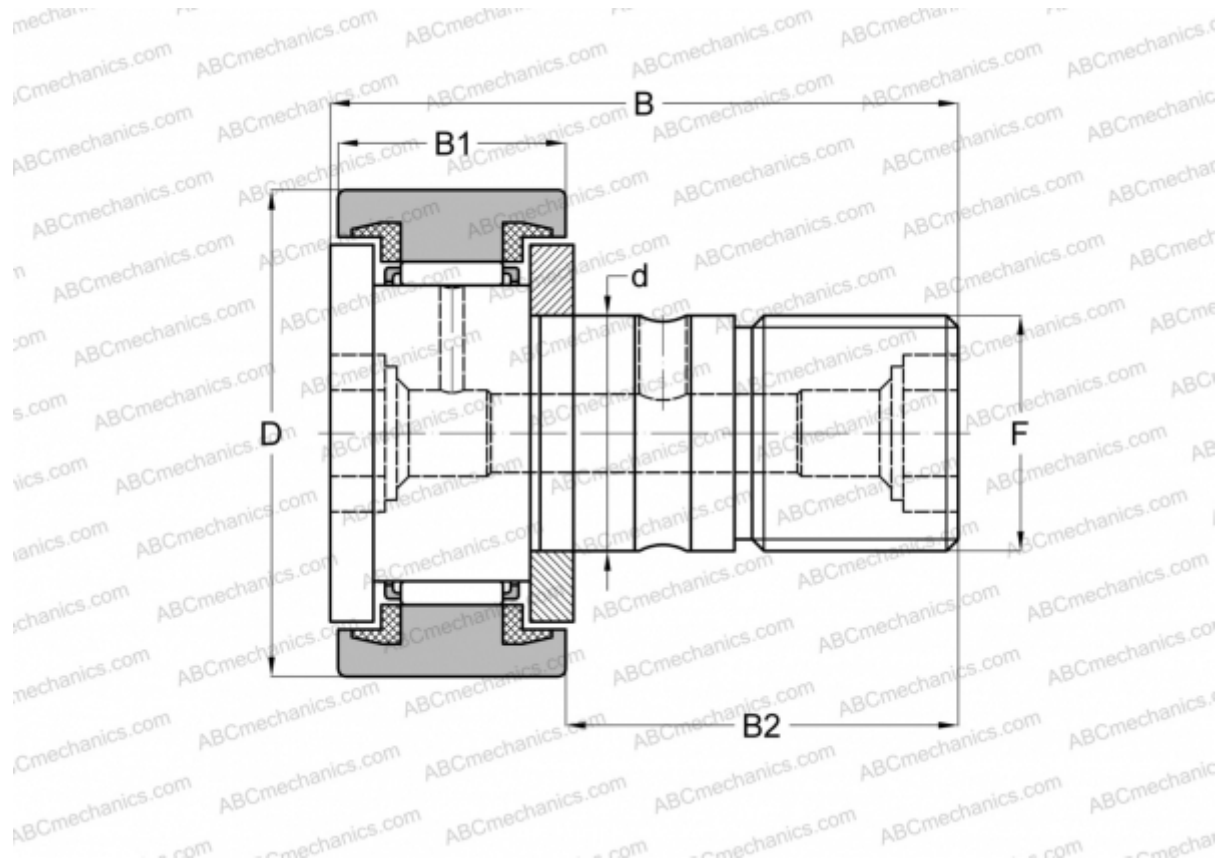


KR 22C DZ 2RS/ NAKD 22 DZ FAG

Cam followers

TYPE: Roller bearings, Stud type track rollers, With axial guidance, sealing rings on both sides, cylindrical outer ring



Technical specification

DIMENSIONS, MM

d	10,000
D	22,000
B	36,000
B1	12,000
B2	23,000
F	M10x1

WEIGHT, KG 0,050

MANUFACTURER [FAG](#)

INTERCHANGE

ABC	KR 22 PPX
INA	KR 22 PPX
SKF	KR 22 PPX
IKO	CF 10 UUM

INTERCHANGE

McGill [MCFR-22-SX](#)