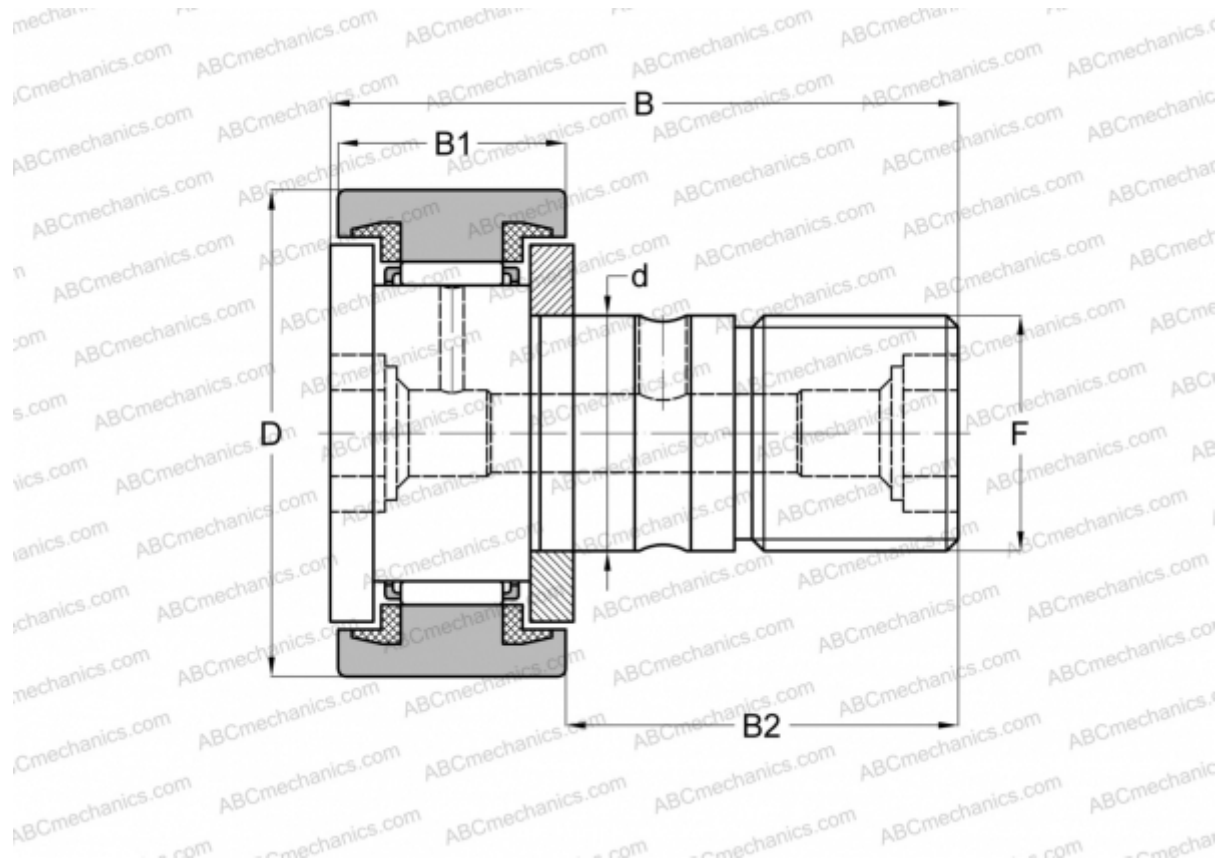


KR 22 PPX SKF

Cam followers

TYPE: Roller bearings, Stud type track rollers, With axial guidance, sealing rings on both sides, cylindrical outer ring



Technical specification

DIMENSIONS, MM

d	10,000
D	22,000
B	36,000
B1	12,000
B2	23,000
F	M 10x1

WEIGHT, KG 0,043

MANUFACTURER [SKF](#)

INTERCHANGE

ABC	KR 22 PPX
FAG	KR 22C DZ 2RS/ NAKD 22 DZ
INA	KR 22 PPX
IKO	CF 10 UUM

INTERCHANGE

McGill [MCFR-22-SX](#)

CALCULATION DATA

Basic dynamic load rating, C	4,400 kN
Basic static load rating, Co	5,000 kN
Fatigue load limit, Pu	0,560 kN
Limiting speed	5300 r/min