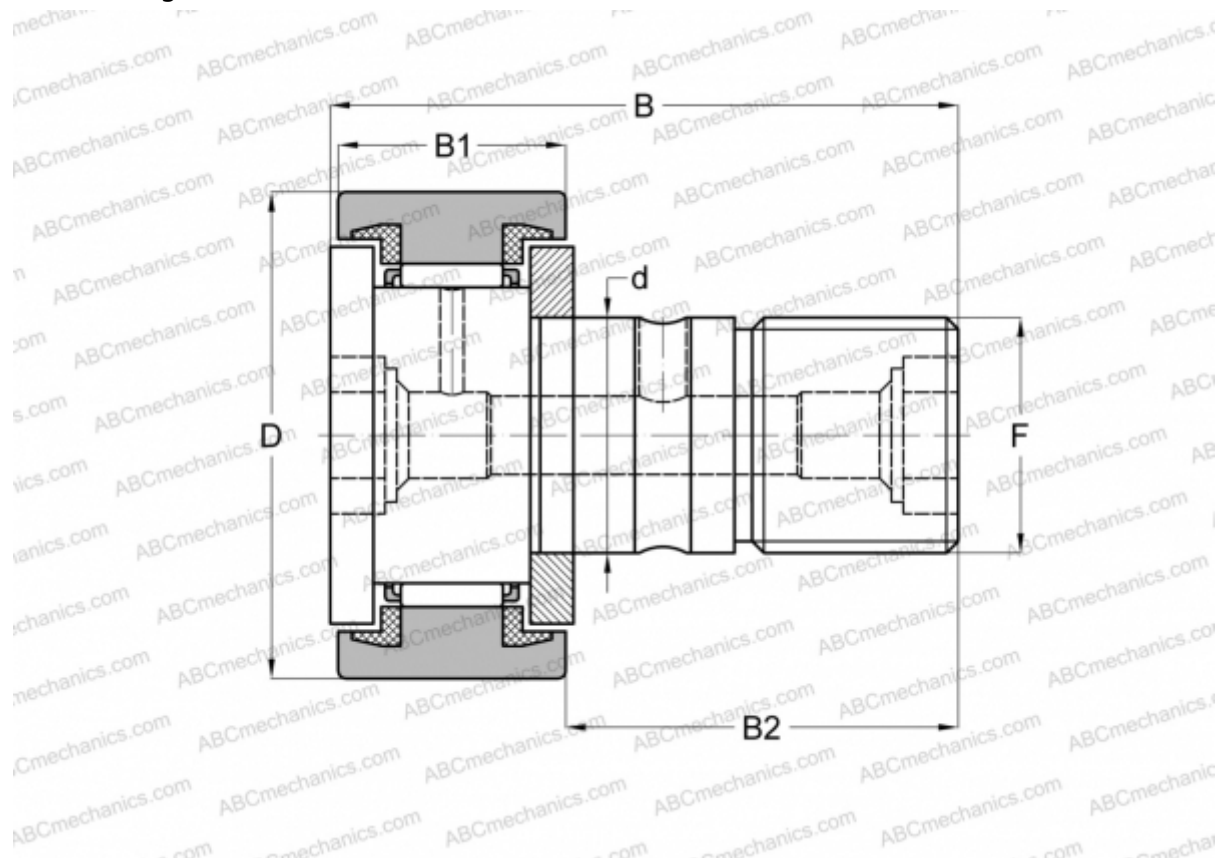


MCFR-26-SX McGill

Cam followers

TYPE: Roller bearings, Stud type track rollers, With axial guidance, sealing rings on both sides, cylindrical outer ring



Technical specification

DIMENSIONS, MM

d	10,000
D	26,000
B	36,000
B1	12,000
B2	23,000
F	M10x1

WEIGHT, KG 0,059

MANUFACTURER [McGill](#)

INTERCHANGE

ABC	KR 26 PPX
FAG	KR 26C DZ 2RS/ NAKD 26 DZ
INA	KR 26 PPX
SKF	KR 26 PPX

INTERCHANGE

IKO [CF 10-1 UUM](#)