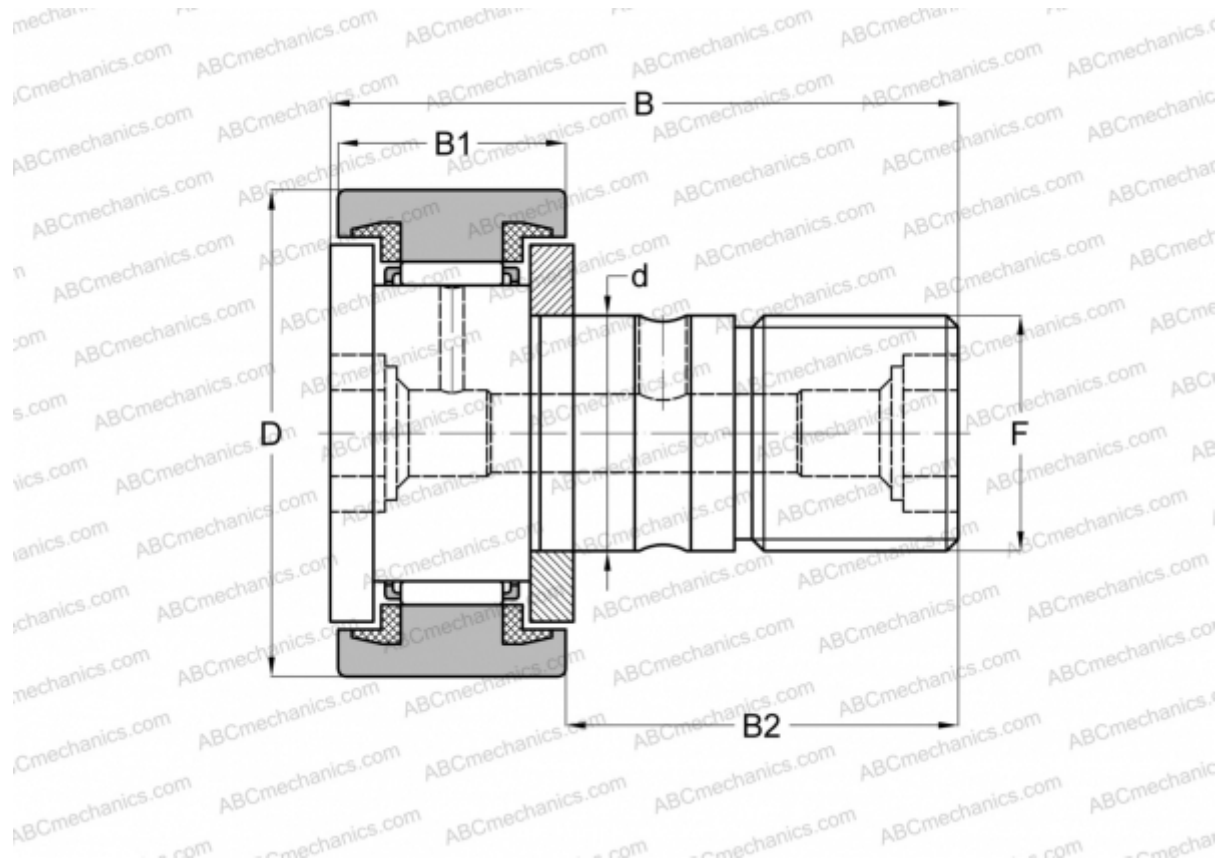


KR 30 PPX ABC

Cam followers

TYPE: Roller bearings, Stud type track rollers, With axial guidance, sealing rings on both sides, cylindrical outer ring



Technical specification

DIMENSIONS, MM

d	12,000
D	30,000
B	40,000
B1	14,000
B2	25,000
F	M12x1.5

WEIGHT, KG 0,091

MANUFACTURER [ABC](#)

INTERCHANGE

FAG	KR 30C DZ 2RS/ NAKD 30 DZ
INA	KR 30 PPX
SKF	KR 30 PPX
IKO	CF 12 UU

INTERCHANGE

McGill

[MCFR-30-SX](#)