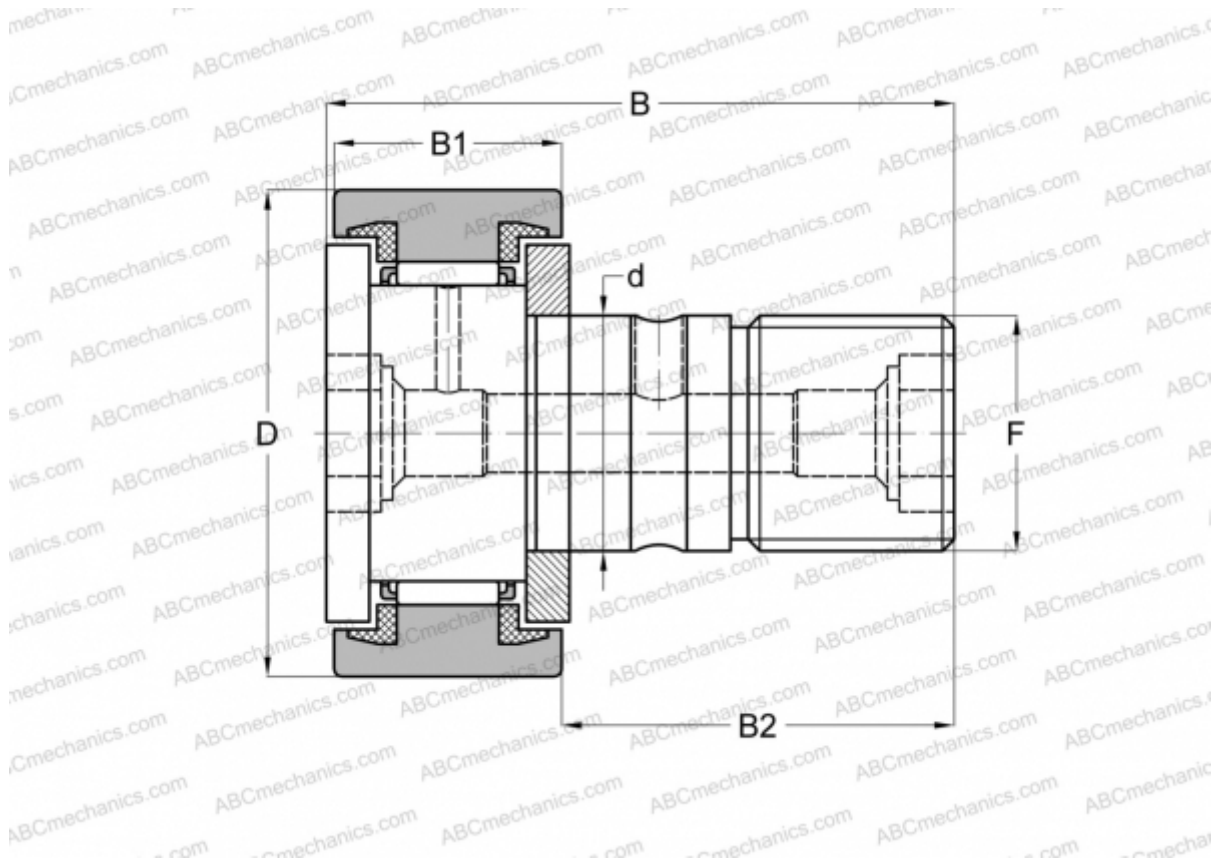


KR 30 PPX SKF

Cam followers

TYPE: Roller bearings, Stud type track rollers, With axial guidance, sealing rings on both sides, cylindrical outer ring



Technical specification

DIMENSIONS, MM

d	12,000
D	30,000
B	40,000
B1	14,000
B2	25,000
F	M 12x1.5

WEIGHT, KG 0,088

MANUFACTURER [SKF](#)

INTERCHANGE

ABC	KR 30 PPX
FAG	KR 30C DZ 2RS/ NAKD 30 DZ
INA	KR 30 PPX
IKO	CF 12 UU

INTERCHANGE

McGill [MCFR-30-SX](#)

CALCULATION DATA

Basic dynamic load rating, C	6,440 kN
Basic static load rating, Co	8,000 kN
Fatigue load limit, Pu	0,880 kN
Limiting speed	4800 r/min