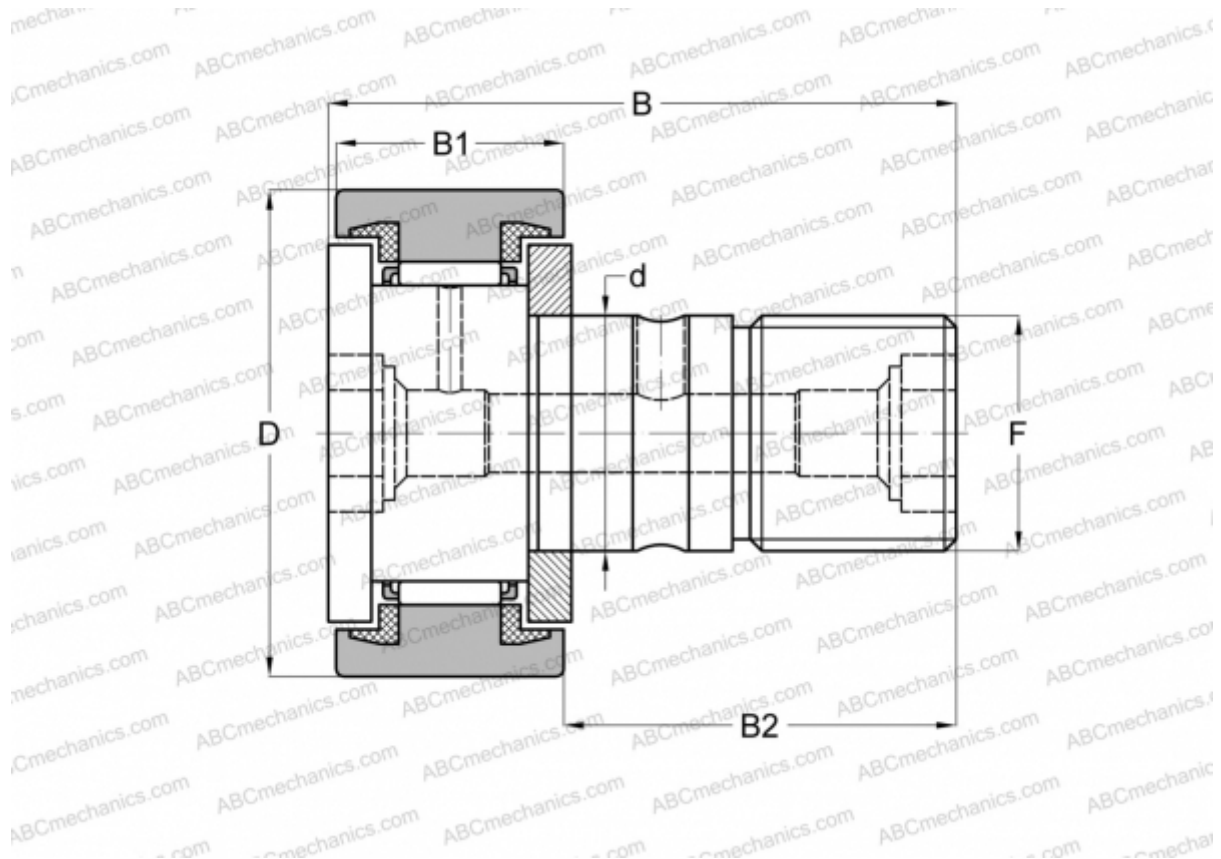


KR 32 PPX INA

Cam followers

TYPE: Roller bearings, Stud type track rollers, With axial guidance, sealing rings on both sides, cylindrical outer ring



Technical specification

DIMENSIONS, MM

d	12,000
D	32,000
B	40,000
B1	14,000
B2	25,000
F	M12x1.5

WEIGHT, KG 0,100

MANUFACTURER [INA](#)

INTERCHANGE

ABC	KR 32 PPX
FAG	KR 32C DZ 2RS/ NAKD 32 DZ
SKF	KR 32 PPX
IKO	CF 12-1 UU

INTERCHANGE

McGill [MCFR-32-SX](#)