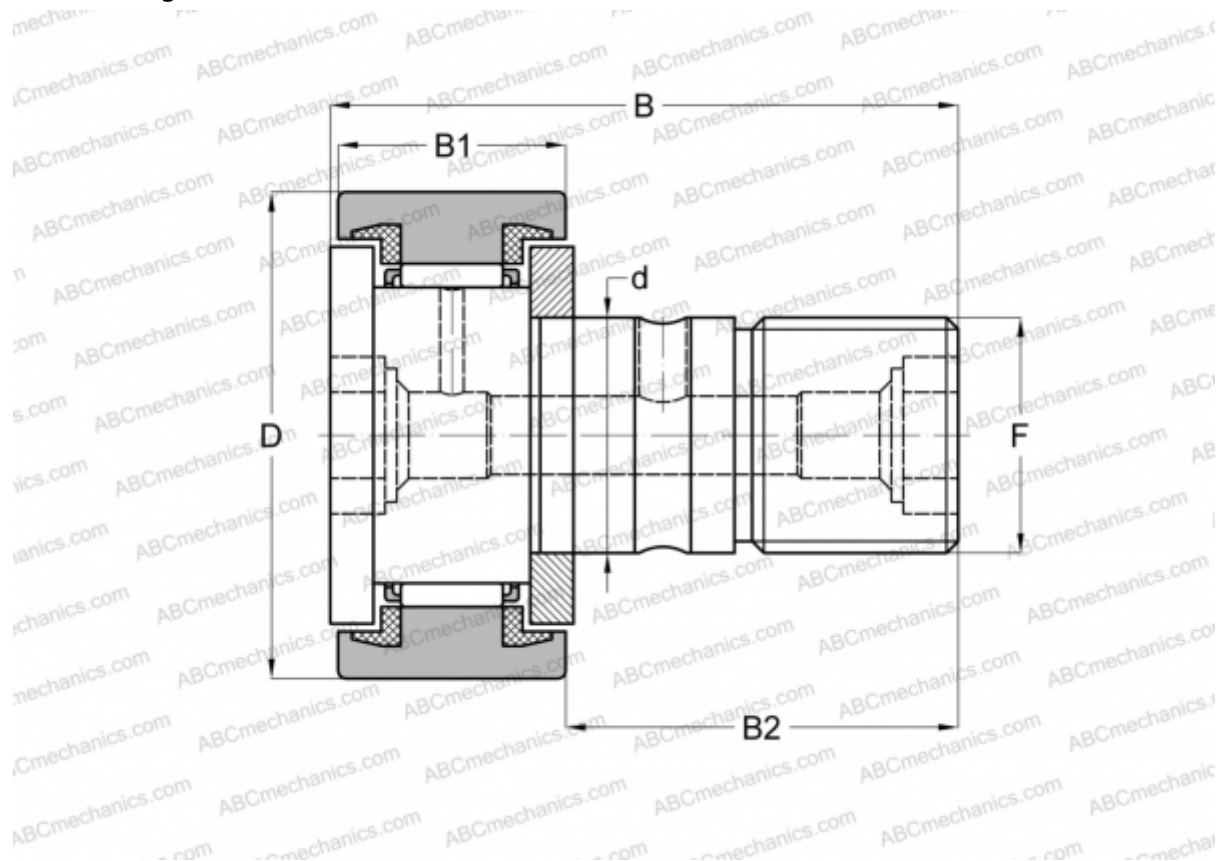


MCFR-47-SX McGill

Cam followers

TYPE: Roller bearings, Stud type track rollers, With axial guidance, sealing rings on both sides, cylindrical outer ring



Technical specification

DIMENSIONS, MM

d	20,000
D	47,000
B	66,000
B1	24,000
B2	40,500
F	M20x1.5

WEIGHT, KG 0,400

MANUFACTURER [McGill](#)

INTERCHANGE

ABC	KR 47 PPX
INA	KR 47 PPX
SKF	KR 47 PPX
IKO	CF 20-1 UU