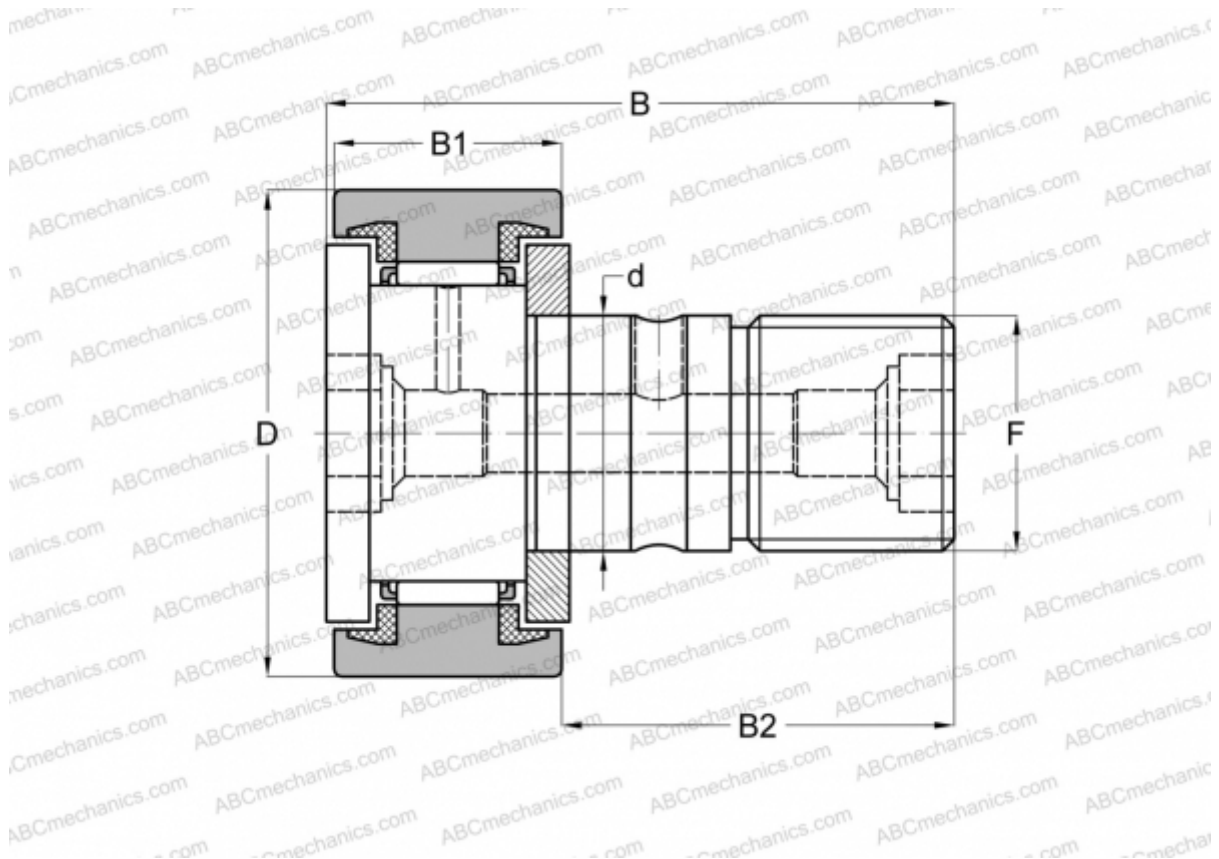


CF 20 UU IKO

Cam followers

TYPE: Roller bearings, Stud type track rollers, With axial guidance, sealing rings on both sides, cylindrical outer ring



Technical specification

DIMENSIONS, MM

| | |
|----|---------|
| d | 20,000 |
| D | 52,000 |
| B | 66,100 |
| B1 | 24,000 |
| B2 | 40,500 |
| F | M20x1.5 |

WEIGHT, KG 0,460

MANUFACTURER [IKO](#)

INTERCHANGE

| | |
|-----|---------------------------|
| ABC | KR 52 PPX |
| INA | KR 52 PPX |
| SKF | KR 52 PPX |

CALCULATION DATA

| | |
|------------------------------|-----------|
| Basic dynamic load rating, C | 20,700 kN |
| Basic static load rating, Co | 34,600 kN |