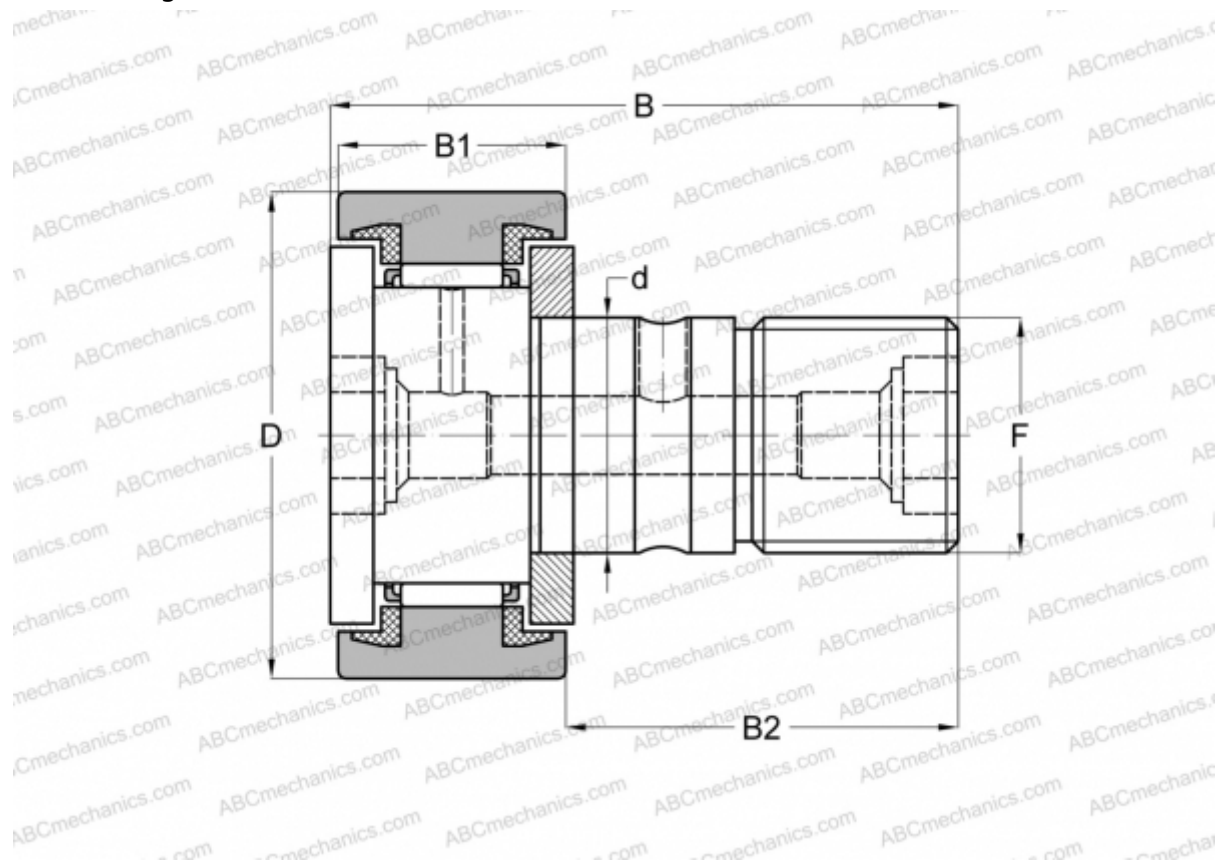


KR 80 PPX SKF

Cam followers

TYPE: Roller bearings, Stud type track rollers, With axial guidance, sealing rings on both sides, cylindrical outer ring



Technical specification

DIMENSIONS, MM

| | |
|----|----------|
| d | 30,000 |
| D | 80,000 |
| B | 100,000 |
| B1 | 35,000 |
| B2 | 63,000 |
| F | M 30x1.5 |

WEIGHT, KG 1,608

MANUFACTURER [SKF](#)

INTERCHANGE

| | |
|--------|----------------------------|
| ABC | KR 80 PPX |
| INA | KR 80 PPX |
| IKO | CF 30 UU |
| McGill | MCFR-80-SX |

CALCULATION DATA

| | |
|------------------------------|------------|
| Basic dynamic load rating, C | 36,900 kN |
| Basic static load rating, Co | 72,000 kN |
| Fatigue load limit, Pu | 9,000 kN |
| Limiting speed | 1800 r/min |