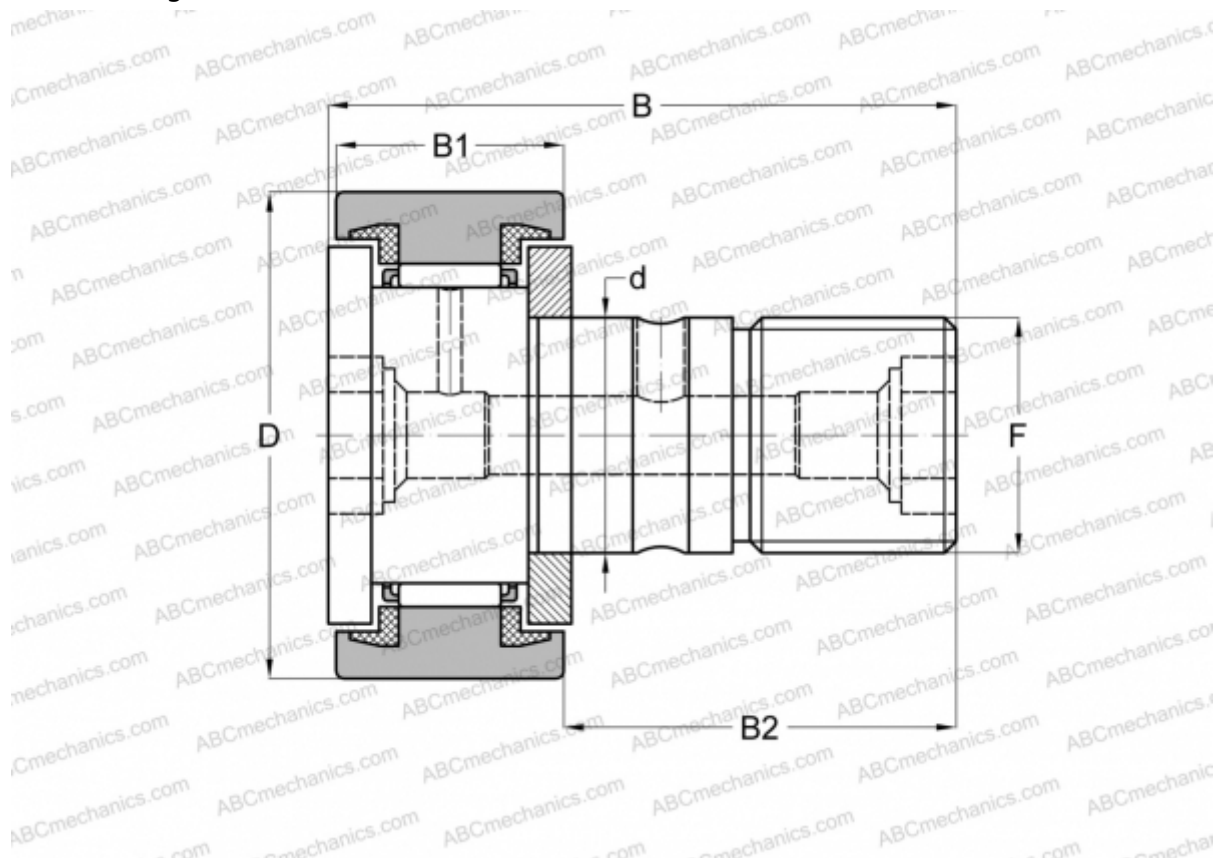


MCFR-85-SX McGill

Cam followers

TYPE: Roller bearings, Stud type track rollers, With axial guidance, sealing rings on both sides, cylindrical outer ring



Technical specification

DIMENSIONS, MM

| | |
|----|---------|
| d | 30,000 |
| D | 85,000 |
| B | 100,000 |
| B1 | 35,000 |
| B2 | 63,000 |
| F | M30x1.5 |

WEIGHT, KG 2,030

MANUFACTURER [McGill](#)

INTERCHANGE

| | |
|-----|----------------------------|
| ABC | CF 30-1 UU |
| IKO | CF 30-1 UU |