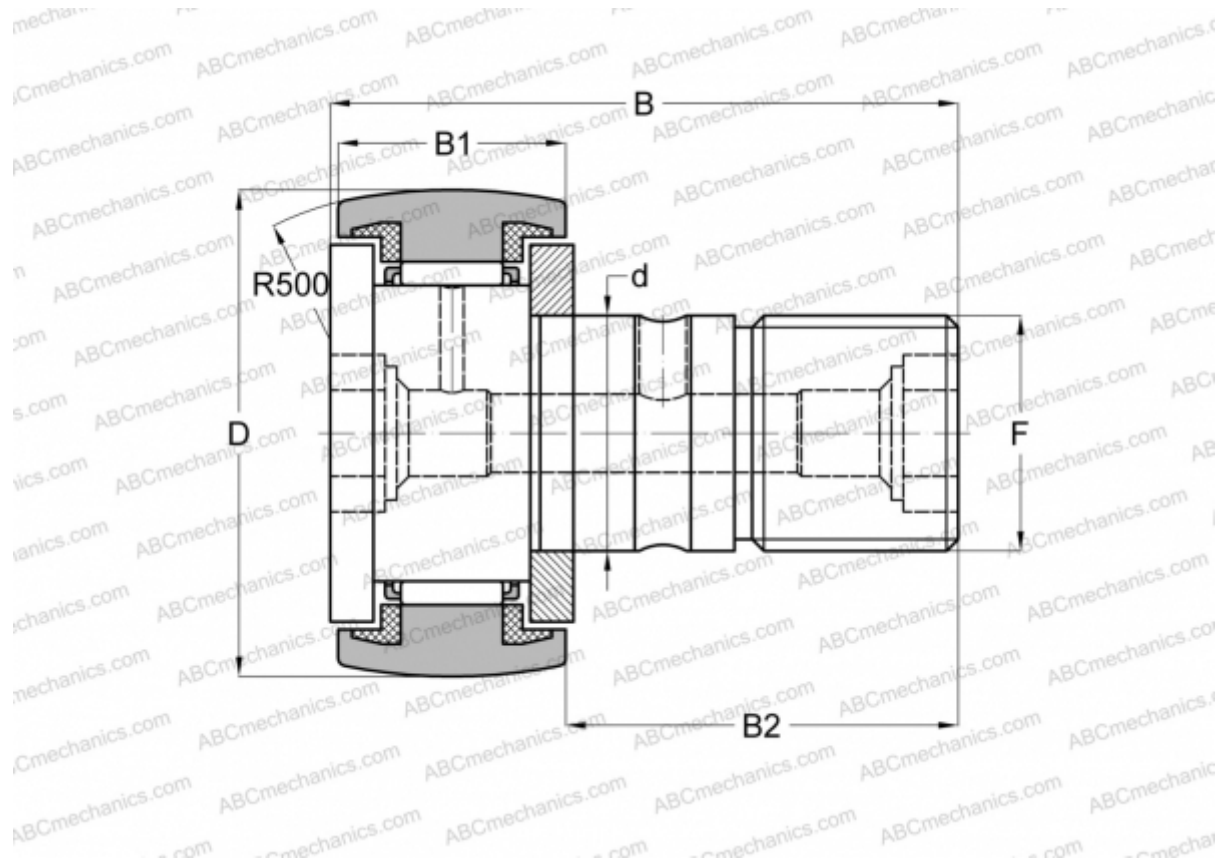


CF 30-1 UUR-AB THK

Cam followers

TYPE: Roller bearings, Stud type track rollers, With axial guidance, sealing rings on both sides, double hex hole



Technical specification

DIMENSIONS, MM

d	30,000
D	85,000
B	100,000
B1	35,000
B2	63,000
F	M30x1.5

WEIGHT, KG 2,020

MANUFACTURER [THK](#)

INTERCHANGE

ABC	CFKR 85 UUR
IKO	CFKR 85 UUR
JNS	CF 30-1 UUR-AB