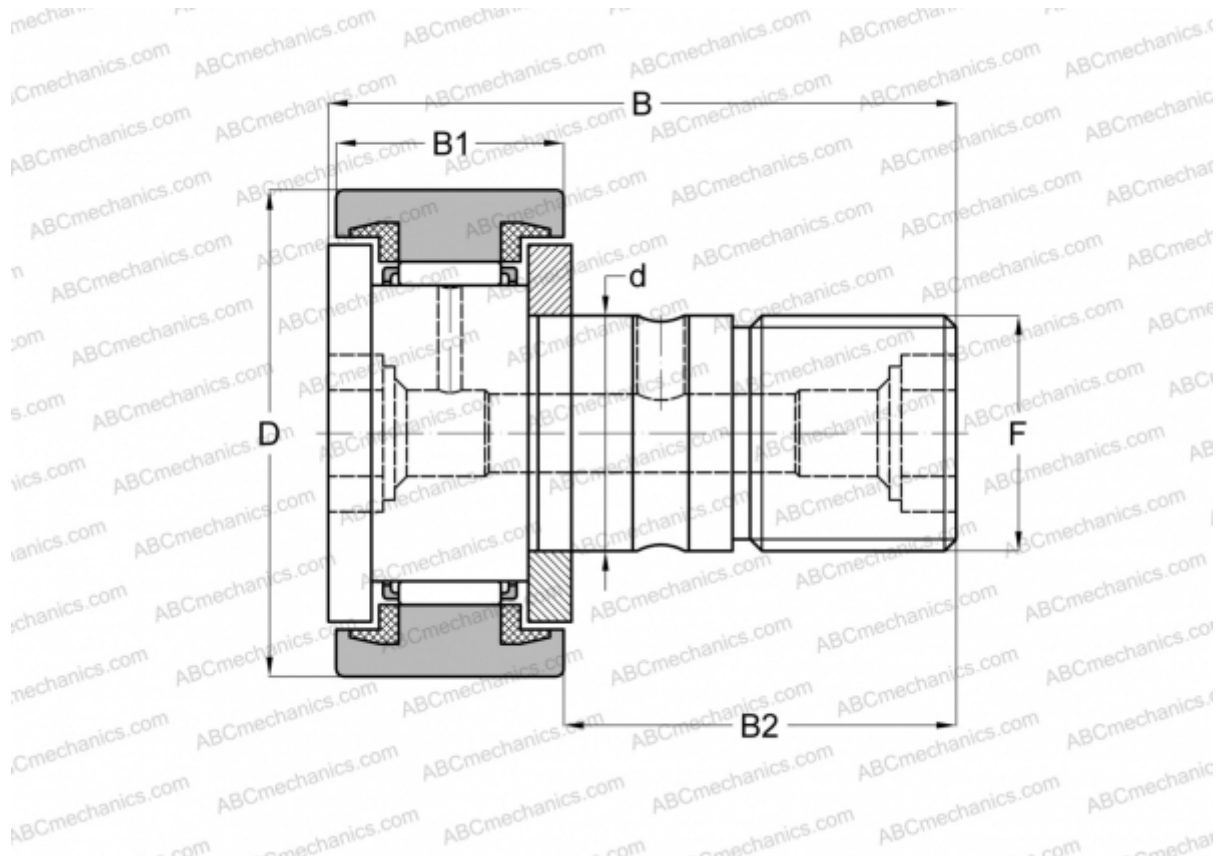


## CFKR 26 UU IKO

Cam followers

TYPE: Roller bearings, Stud type track rollers, With axial guidance, sealing rings on both sides, cylindrical outer ring, double hex hole



### Technical specification

#### DIMENSIONS, MM

d	10,000
D	26,000
B	36,200
B1	12,000
B2	23,000
F	M10x1.0

**WEIGHT, KG** 0,058

**MANUFACTURER** [IKO](#)

#### INTERCHANGE

ABC [CFKR 26 UU](#)

#### CALCULATION DATA

Basic dynamic load rating, C	5,430 kN
Basic static load rating, Co	6,890 kN