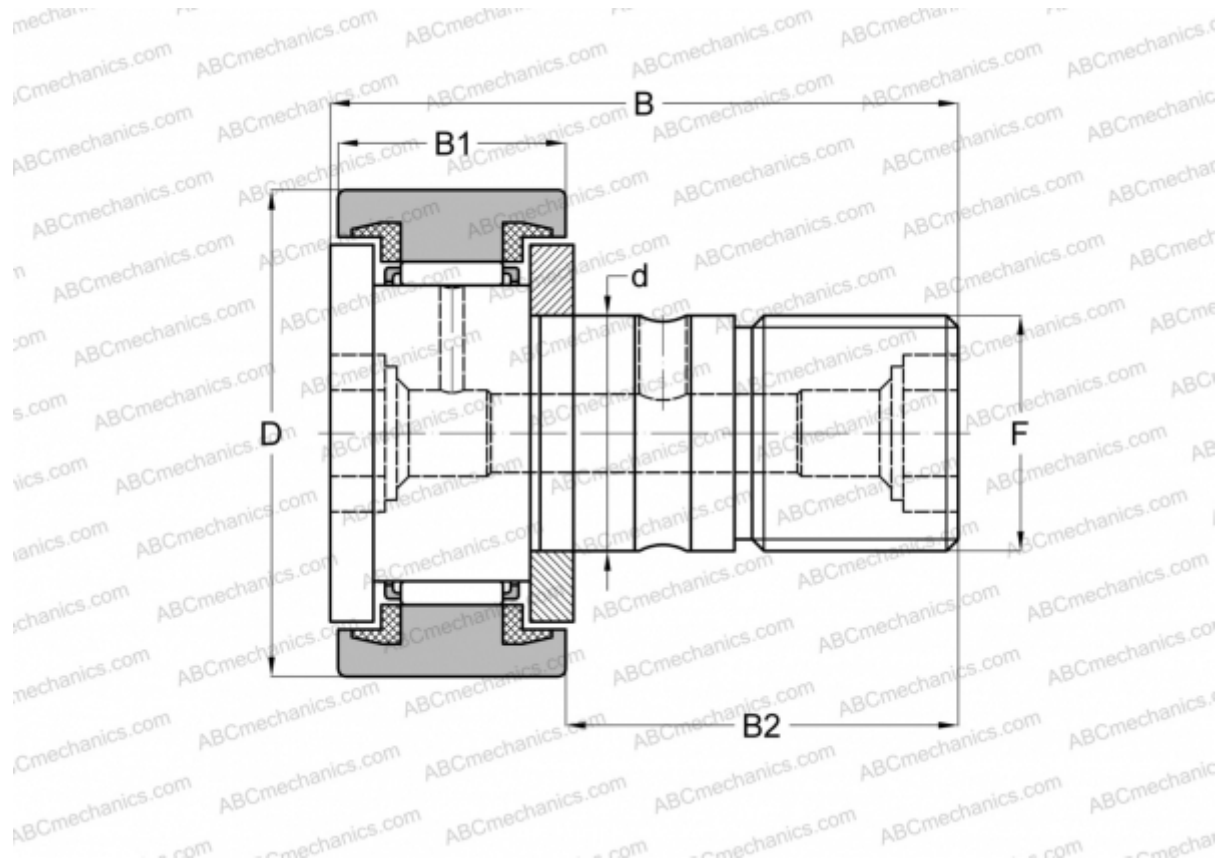


## CFKR 90 UU IKO

Cam followers

TYPE: Roller bearings, Stud type track rollers, With axial guidance, sealing rings on both sides, cylindrical outer ring, double hex hole



### Technical specification

#### DIMENSIONS, MM

d	30,000
D	90,000
B	100,000
B1	35,000
B2	63,000
F	M30x1.5

**WEIGHT, KG** 2,210

**MANUFACTURER** [IKO](#)

#### INTERCHANGE

ABC	<a href="#">CFKR 90 UU</a>
JNS	<a href="#">CF 30-2 UU-AB</a>
THK	<a href="#">CF 30-2 UU-AB</a>

#### CALCULATION DATA

Basic dynamic load rating, C	45,400 kN
Basic static load rating, Co	85,100 kN