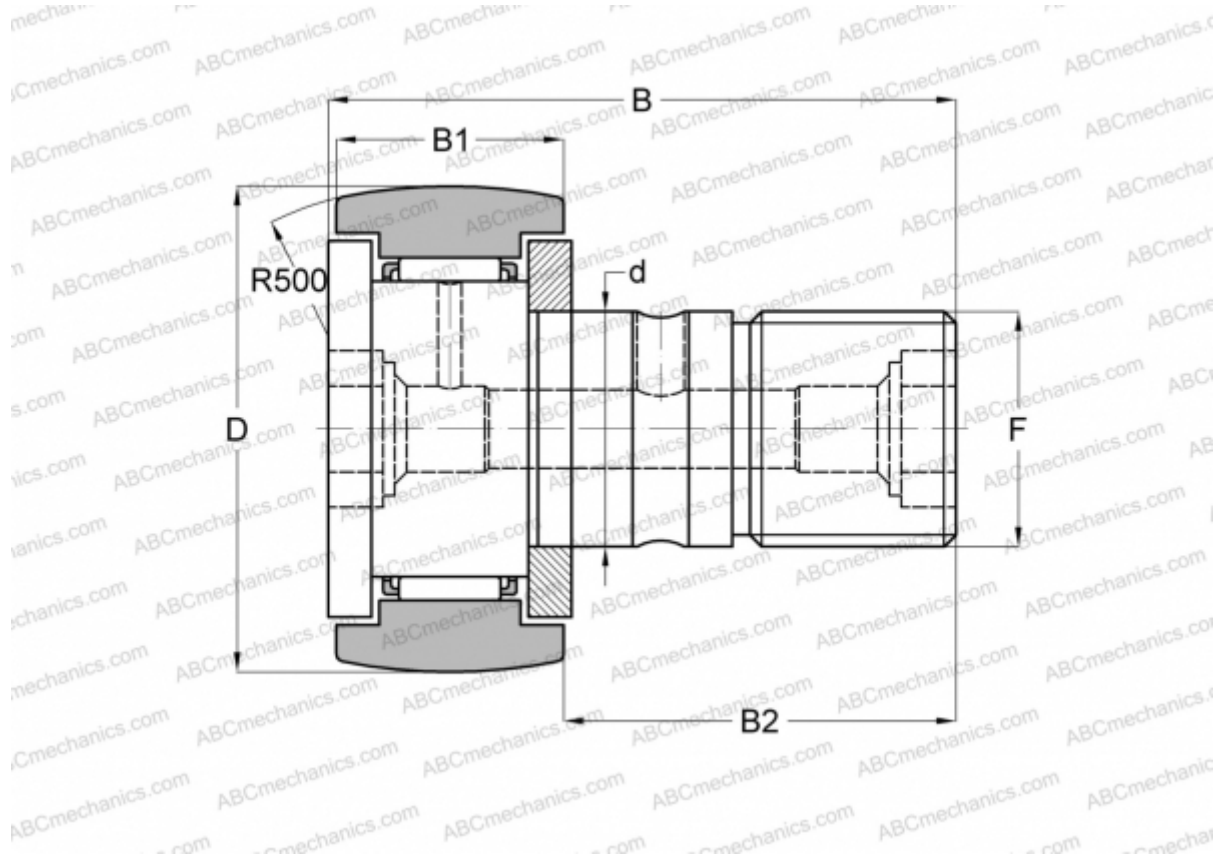


## MCFR-13-B McGill

Cam followers

TYPE: Roller bearings, Stud type track rollers, With axial guidance, gap seals on both side, hex hole



### Technical specification

#### DIMENSIONS, MM

|    |        |
|----|--------|
| d  | 5,000  |
| D  | 13,000 |
| B  | 23,000 |
| B1 | 9,000  |
| B2 | 13,000 |
| F  | M5x0.8 |

**WEIGHT, KG** 0,010

**MANUFACTURER** [McGill](#)

#### INTERCHANGE

|     |                         |
|-----|-------------------------|
| ABC | <a href="#">CF 5 BR</a> |
| IKO | <a href="#">CF 5 BR</a> |