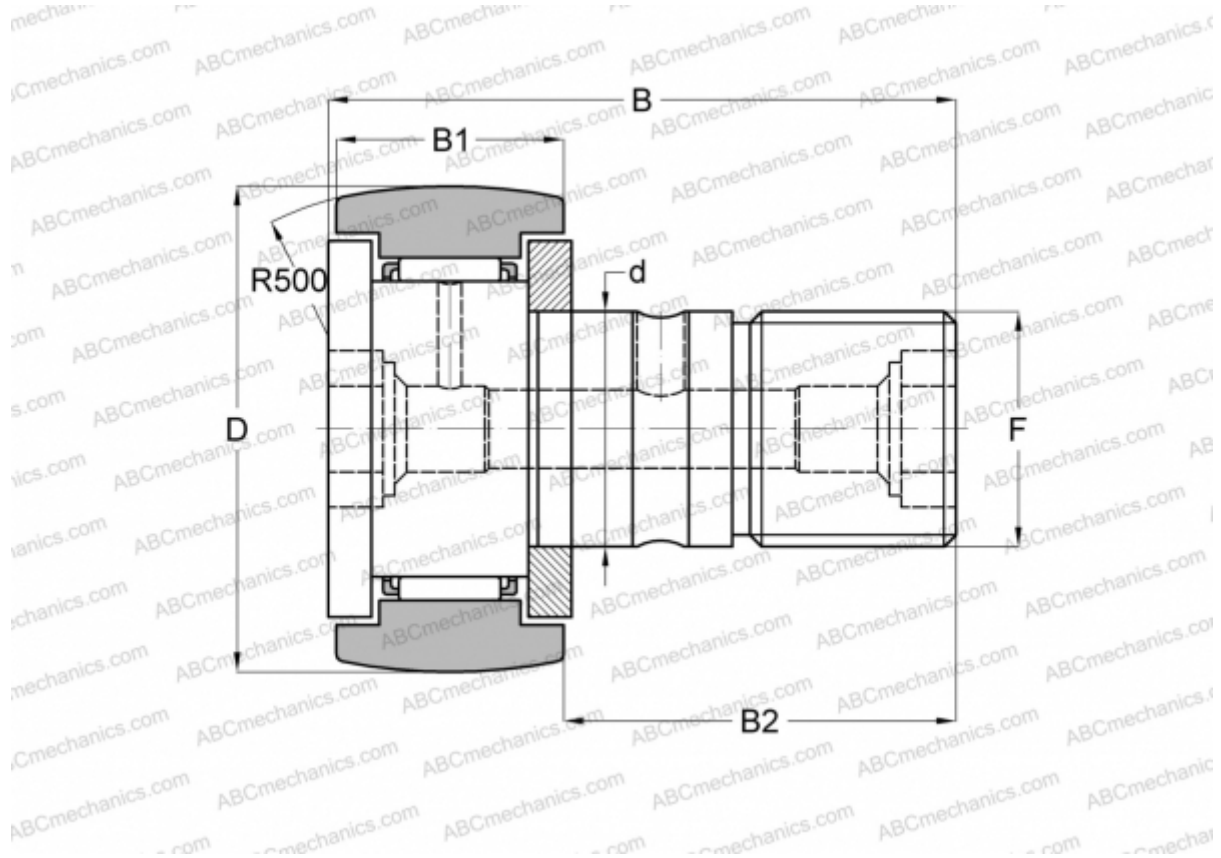


MCFR-16-B McGill

Cam followers

TYPE: Roller bearings, Stud type track rollers, With axial guidance, gap seals on both side, hex hole



Technical specification

DIMENSIONS, MM

d	6,000
D	16,000
B	28,200
B1	11,000
B2	16,000
F	M6x1

MANUFACTURER [McGill](#)

INTERCHANGE

ABC	CF 6 BR
IKO	CF 6 BR
INA	KR 16 SK
SKF	KR 16 SK