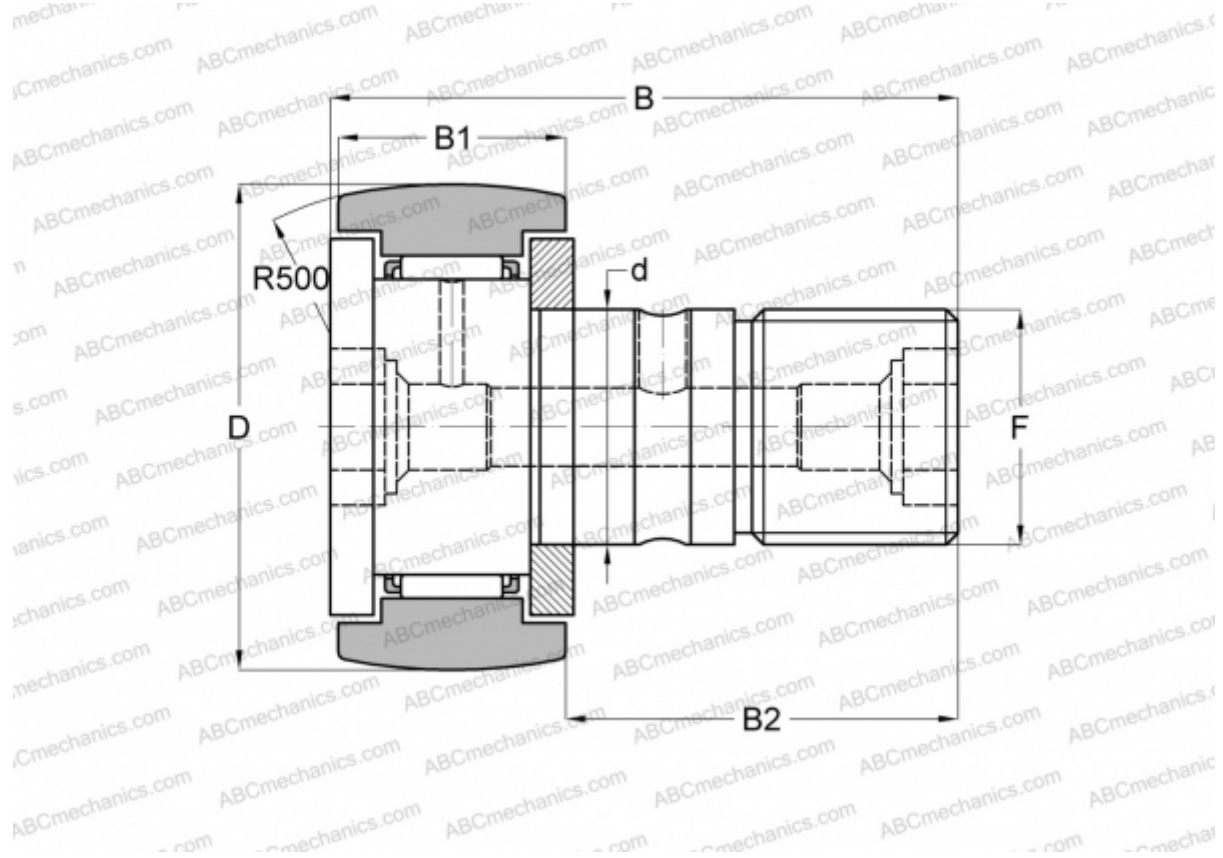


KR 22 SK INA

Cam followers

TYPE: Roller bearings, Stud type track rollers, With axial guidance, gap seals on both side, hex hole



Technical specification

DIMENSIONS, MM

d	10,000
D	22,000
B	36,200
B1	12,000
B2	23,000
F	M10x1

WEIGHT, KG 0,045

MANUFACTURER [INA](#)

INTERCHANGE

ABC	CF 10 BRM
IKO	CF 10 BRM
SKF	KR 22 SK
McGill	MCFR-22-B