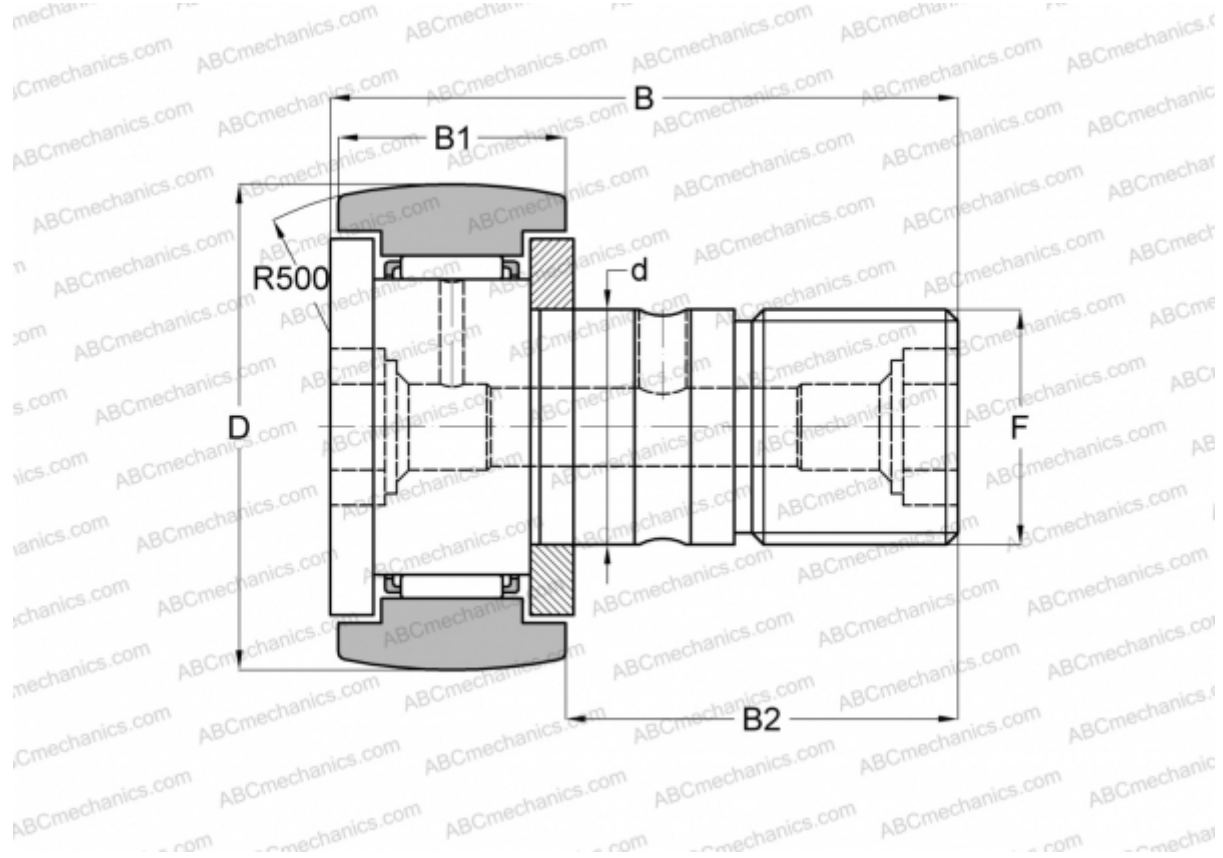


CF 10-1 BRM ABC

Cam followers

TYPE: Roller bearings, Stud type track rollers, With axial guidance, gap seals on both side, hex hole



Technical specification

DIMENSIONS, MM

d	10,000
D	26,000
B	36,200
B1	12,000
B2	23,000
F	M10x1

WEIGHT, KG 0,060

MANUFACTURER [ABC](#)

INTERCHANGE

IKO	CF 10-1 BRM
INA	KR 26 SK
SKF	KR 26 SK
McGill	MCFR-26-B