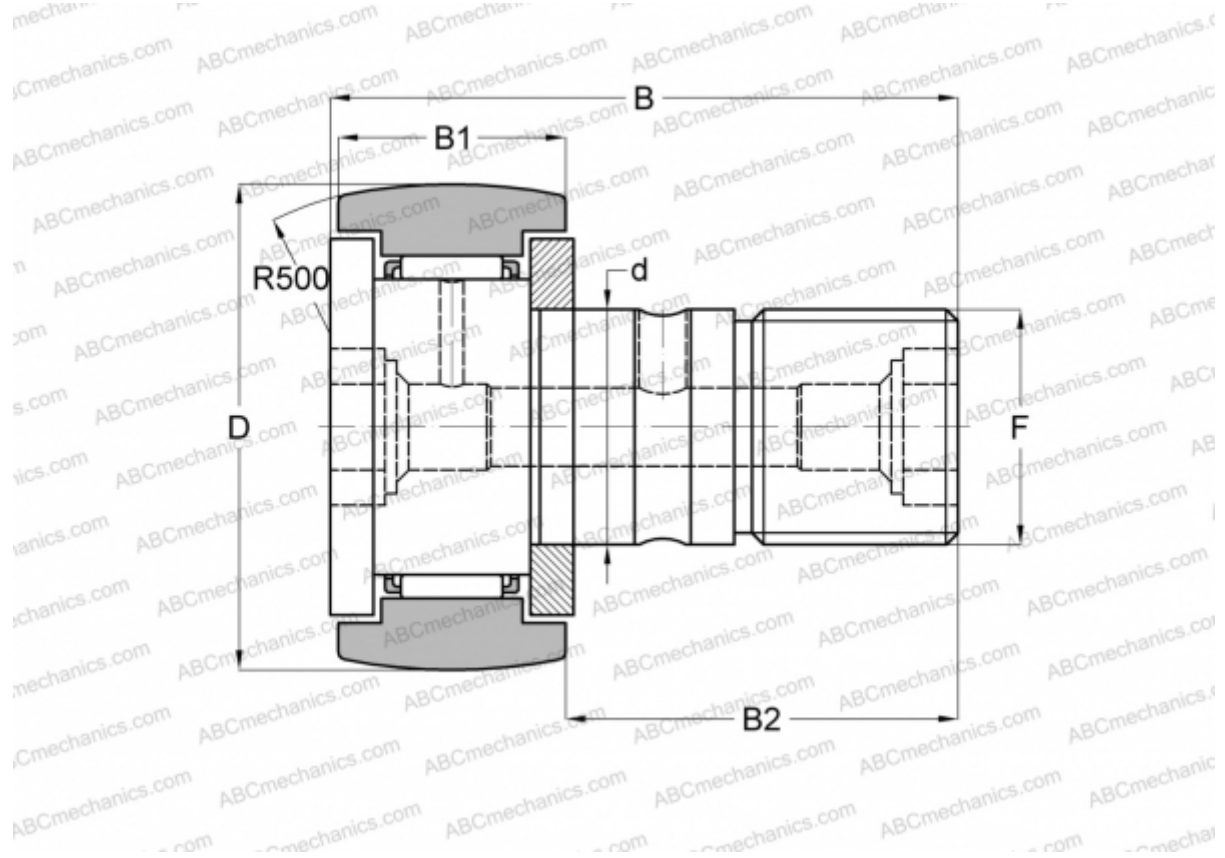


## CF 12 BR ABC

Cam followers

TYPE: Roller bearings, Stud type track rollers, With axial guidance, gap seals on both side, hex hole



### Technical specification

#### DIMENSIONS, MM

d	12,000
D	30,000
B	40,200
B1	14,000
B2	25,000
F	M12x1.5

**WEIGHT, KG** 0,095

**MANUFACTURER** [ABC](#)

#### INTERCHANGE

IKO	<a href="#">CF 12 BR</a>
INA	<a href="#">KR 30 SK</a>
SKF	<a href="#">KR 30 SK</a>
McGill	<a href="#">MCFR-30-B</a>