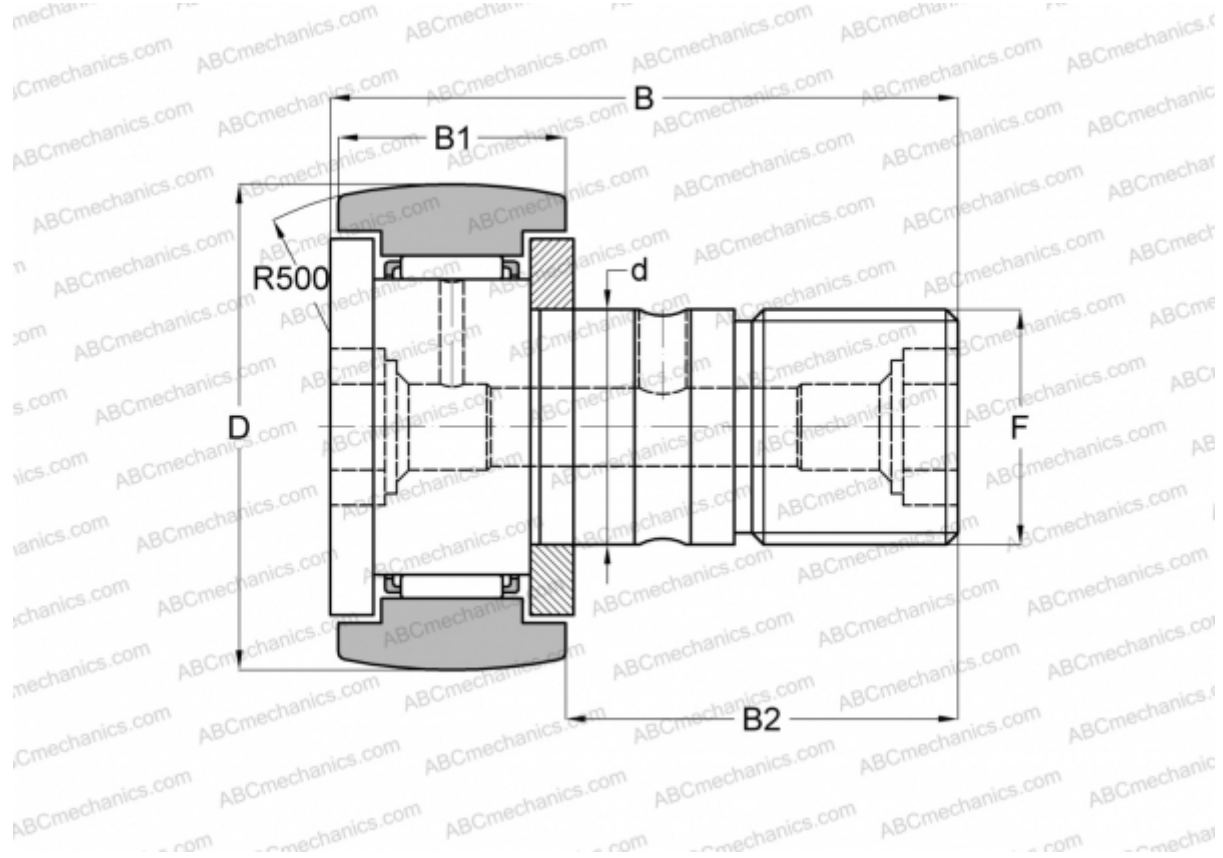


CF 12-1 BR ABC

Cam followers

TYPE: Roller bearings, Stud type track rollers, With axial guidance, gap seals on both side, hex hole



Technical specification

DIMENSIONS, MM

d	12,000
D	32,000
B	40,200
B1	14,000
B2	25,000
F	M12x1.5

WEIGHT, KG 0,105

MANUFACTURER [ABC](#)

INTERCHANGE

IKO	CF 12-1 BR
INA	KR 32 SK
SKF	KR 32 SK
McGill	MCFR-32-B