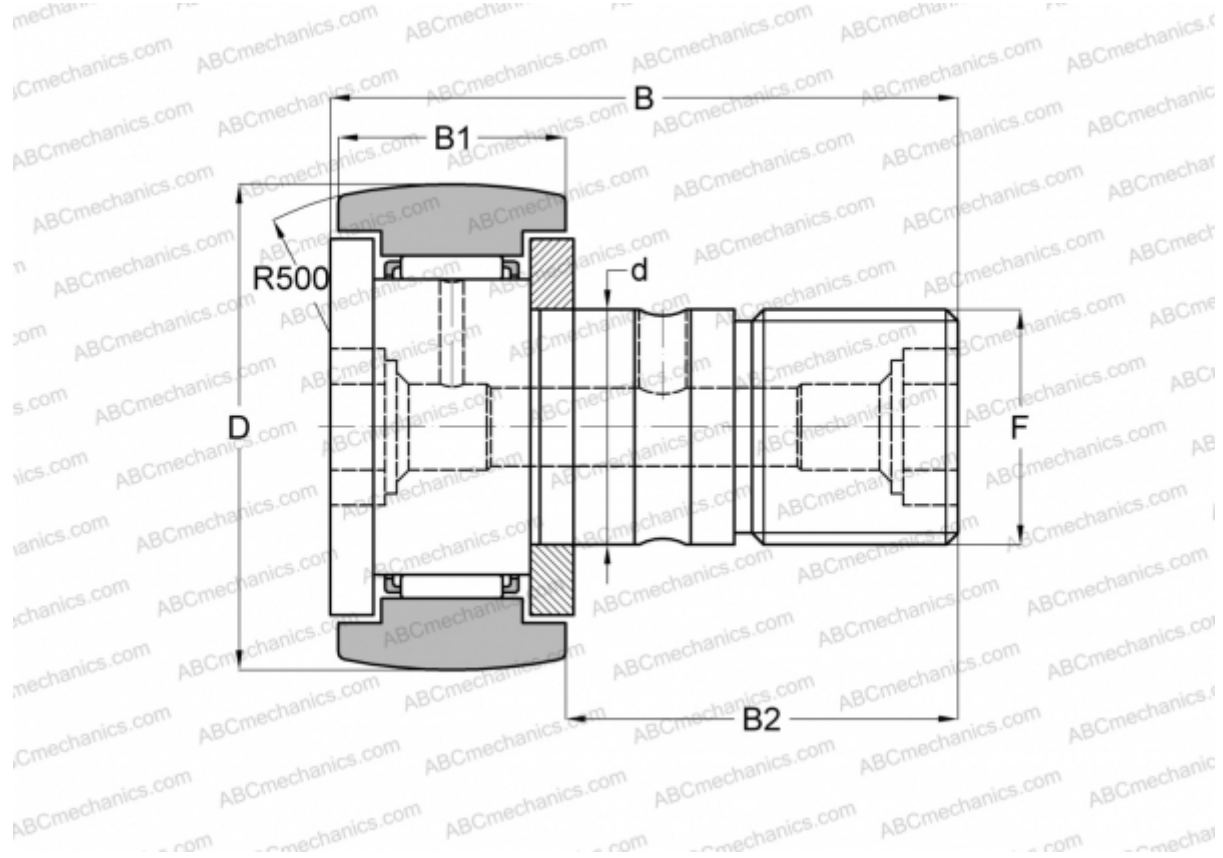


## CF 12-1 BR IKO

Cam followers

TYPE: Roller bearings, Stud type track rollers, With axial guidance, gap seals on both side, hex hole



### Technical specification

#### DIMENSIONS, MM

d	12,000
D	32,000
B	40,200
B1	14,000
B2	25,000
F	M12x1.5

**WEIGHT, KG** 0,105

**MANUFACTURER** [IKO](#)

#### INTERCHANGE

ABC	<a href="#">CF 12-1 BR</a>
INA	<a href="#">KR 32 SK</a>
SKF	<a href="#">KR 32 SK</a>
McGill	<a href="#">MCFR-32-B</a>

#### CALCULATION DATA

Basic dynamic load rating, C	7,910 kN
Basic static load rating, Co	9,790 kN