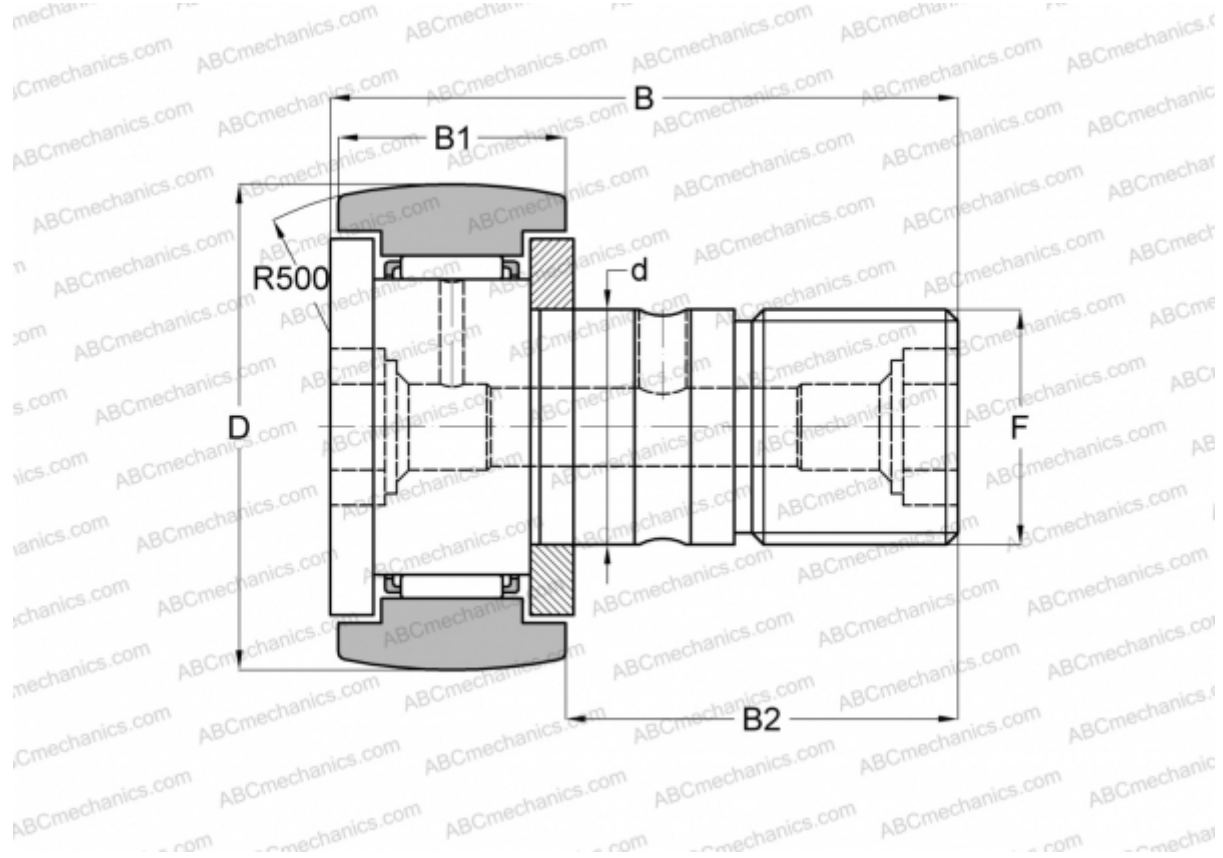


KR 35 SK SKF

Cam followers

TYPE: Roller bearings, Stud type track rollers, With axial guidance, gap seals on both side, hex hole



Technical specification

DIMENSIONS, MM

d	16,000
D	35,000
B	52,100
B1	18,000
B2	32,500
F	M16x1.5

WEIGHT, KG 0,170

MANUFACTURER [SKF](#)

INTERCHANGE

ABC	CF 16 BR
IKO	CF 16 BR
INA	KR 35 SK
McGill	MCFR-35-B