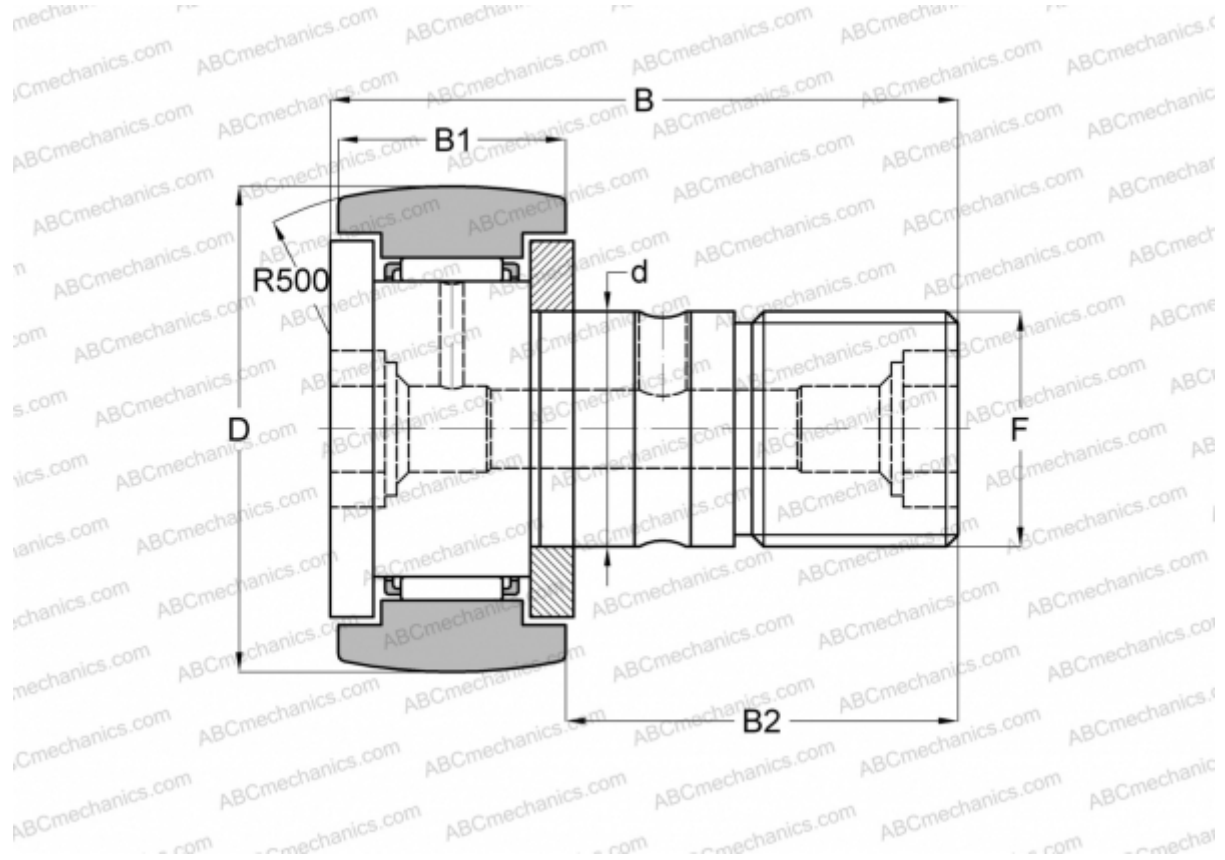


MCFR-40-B McGill

Cam followers

TYPE: Roller bearings, Stud type track rollers, With axial guidance, gap seals on both side, hex hole



Technical specification

DIMENSIONS, MM

| | |
|----|---------|
| d | 18,000 |
| D | 40,000 |
| B | 58,100 |
| B1 | 20,000 |
| B2 | 36,500 |
| F | M18x1.5 |

WEIGHT, KG 0,250

MANUFACTURER [McGill](#)

INTERCHANGE

| | |
|-----|--------------------------|
| ABC | CF 18 BR |
| IKO | CF 18 BR |
| INA | KR 40 SK |
| SKF | KR 40 SK |