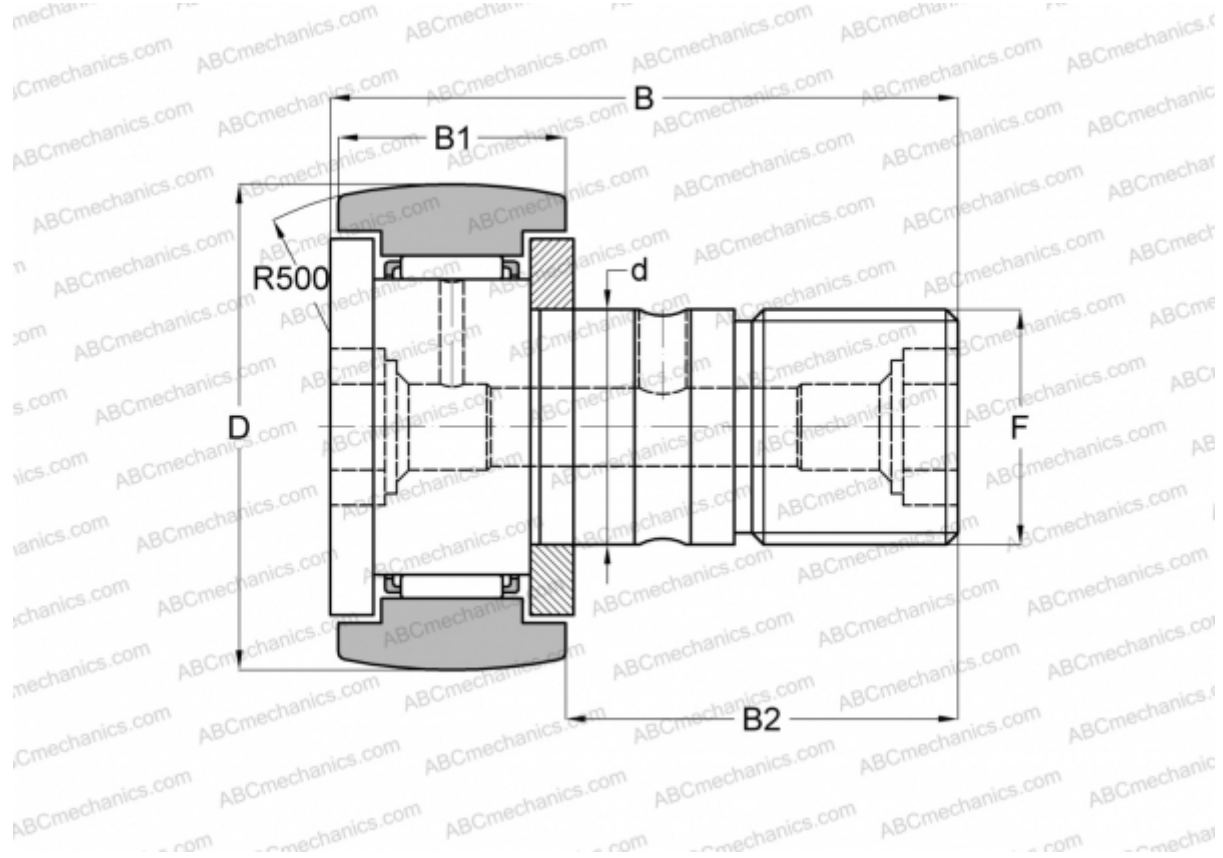


## CF 20-1 BR ABC

Cam followers

TYPE: Roller bearings, Stud type track rollers, With axial guidance, gap seals on both side, hex hole



### Technical specification

#### DIMENSIONS, MM

d	20,000
D	47,000
B	66,100
B1	24,000
B2	40,500
F	M20x1.5

**WEIGHT, KG** 0,385

**MANUFACTURER** [ABC](#)

#### INTERCHANGE

IKO	<a href="#">CF 20-1 BR</a>
INA	<a href="#">KR 47 SK</a>
SKF	<a href="#">KR 47 SK</a>
McGill	<a href="#">MCFR-47-B</a>