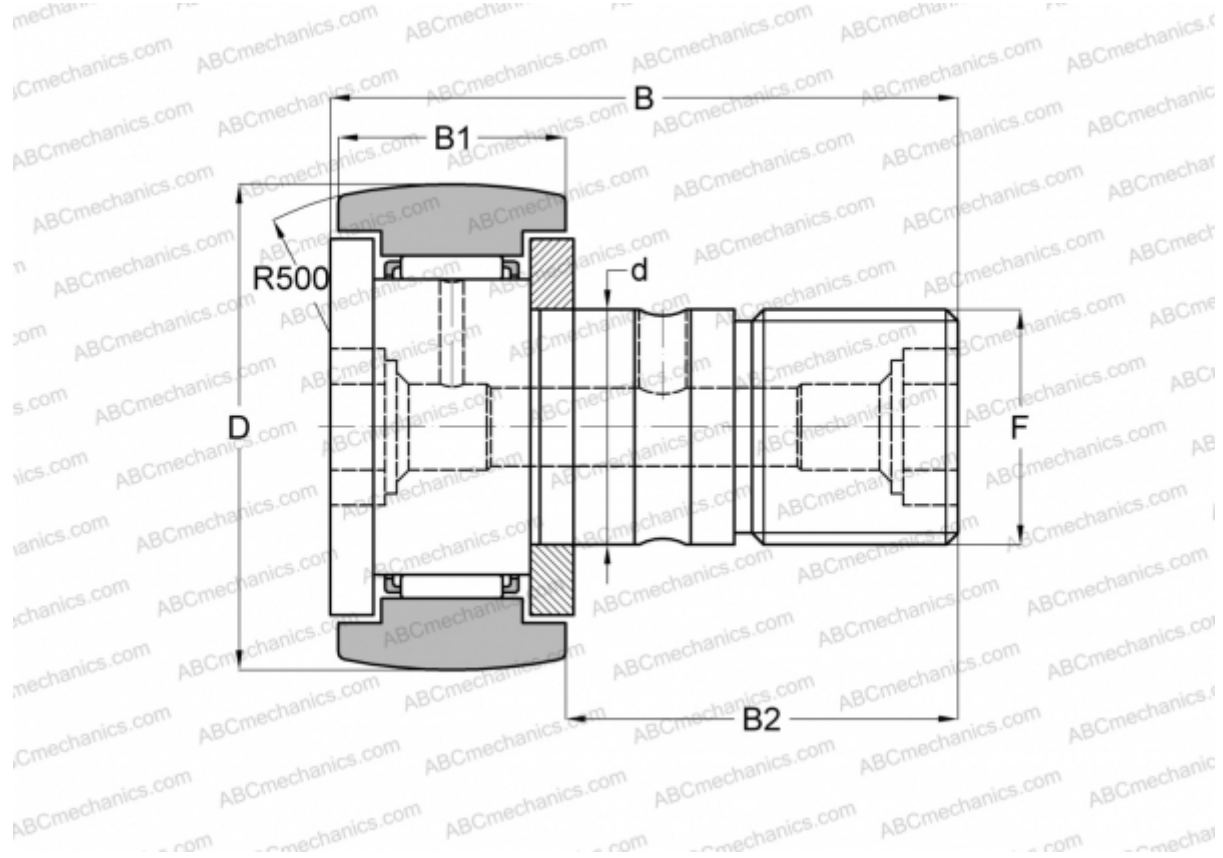


## KR 80 SKF

Cam followers

TYPE: Roller bearings, Stud type track rollers, With axial guidance, gap seals on both side, hex hole



### Technical specification

#### DIMENSIONS, MM

|    |         |
|----|---------|
| d  | 30,000  |
| D  | 80,000  |
| B  | 100,000 |
| B1 | 35,000  |
| B2 | 63,000  |
| F  | M30x1.5 |

**WEIGHT, KG** 1,870

**MANUFACTURER** [SKF](#)

#### INTERCHANGE

|        |                           |
|--------|---------------------------|
| ABC    | <a href="#">CF 30 BR</a>  |
| IKO    | <a href="#">CF 30 BR</a>  |
| INA    | <a href="#">KR 80</a>     |
| McGill | <a href="#">MCFR-80-B</a> |