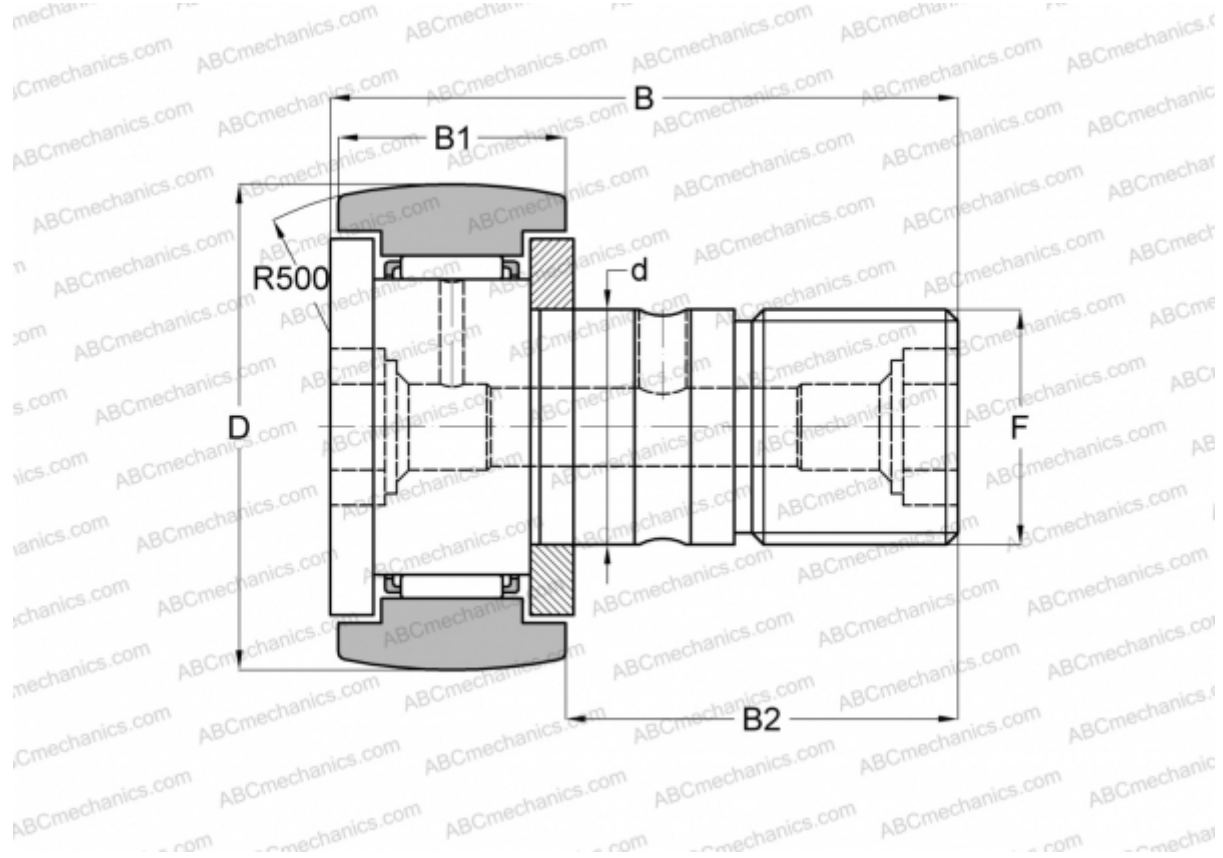


CF 30-2 BR ABC

Cam followers

TYPE: Roller bearings, Stud type track rollers, With axial guidance, gap seals on both side, hex hole



Technical specification

DIMENSIONS, MM

d	30,000
D	90,000
B	100,000
B1	35,000
B2	63,000
F	M30x1.5

WEIGHT, KG 2,220

MANUFACTURER [ABC](#)

INTERCHANGE

IKO	CF 30-2 BR
INA	KR 90
SKF	KR 90
McGill	MCFR-90-B