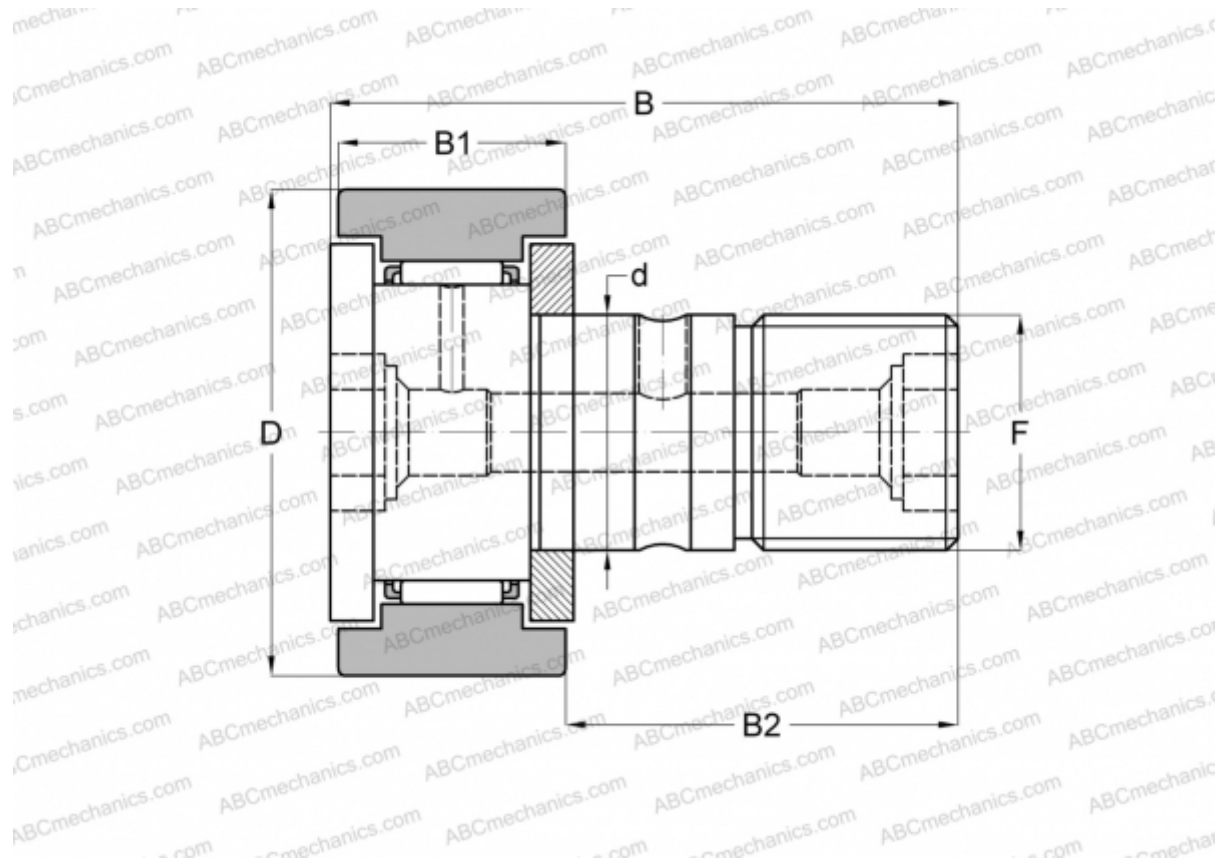


## KR 16 XSK SKF

Cam followers

TYPE: Roller bearings, Stud type track rollers, With axial guidance, gap seals on both side, cylindrical outer ring, hex hole



### Technical specification

#### DIMENSIONS, MM

d	6,000
D	16,000
B	28,200
B1	11,000
B2	16,000
F	M6x1

**WEIGHT, KG** 0,019

**MANUFACTURER** [SKF](#)

#### INTERCHANGE

ABC	<a href="#">CF 6 B</a>
IKO	<a href="#">CF 6 B</a>
INA	<a href="#">KR 16 XSK</a>
McGill	<a href="#">MCFR-16-BX</a>