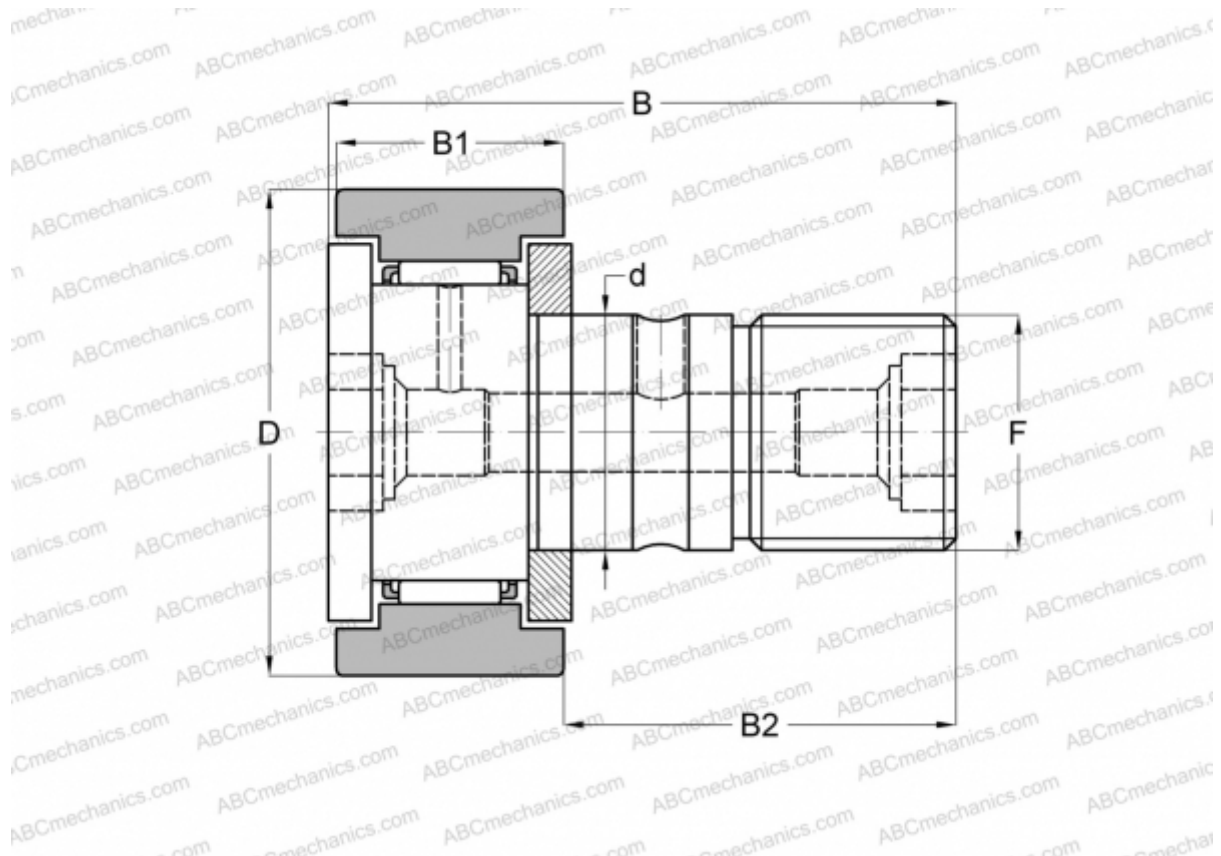


CF 8 B ABC

Cam followers

TYPE: Roller bearings, Stud type track rollers, With axial guidance, gap seals on both side, cylindrical outer ring, hex hole



Technical specification

DIMENSIONS, MM

d	8,000
D	19,000
B	32,200
B1	11,000
B2	20,000
F	M8x1.25

WEIGHT, KG 0,029

MANUFACTURER [ABC](#)

INTERCHANGE

IKO	CF 8 B
INA	KR 19 XSK
SKF	KR 19 XSK
McGill	MCFR-19-BX