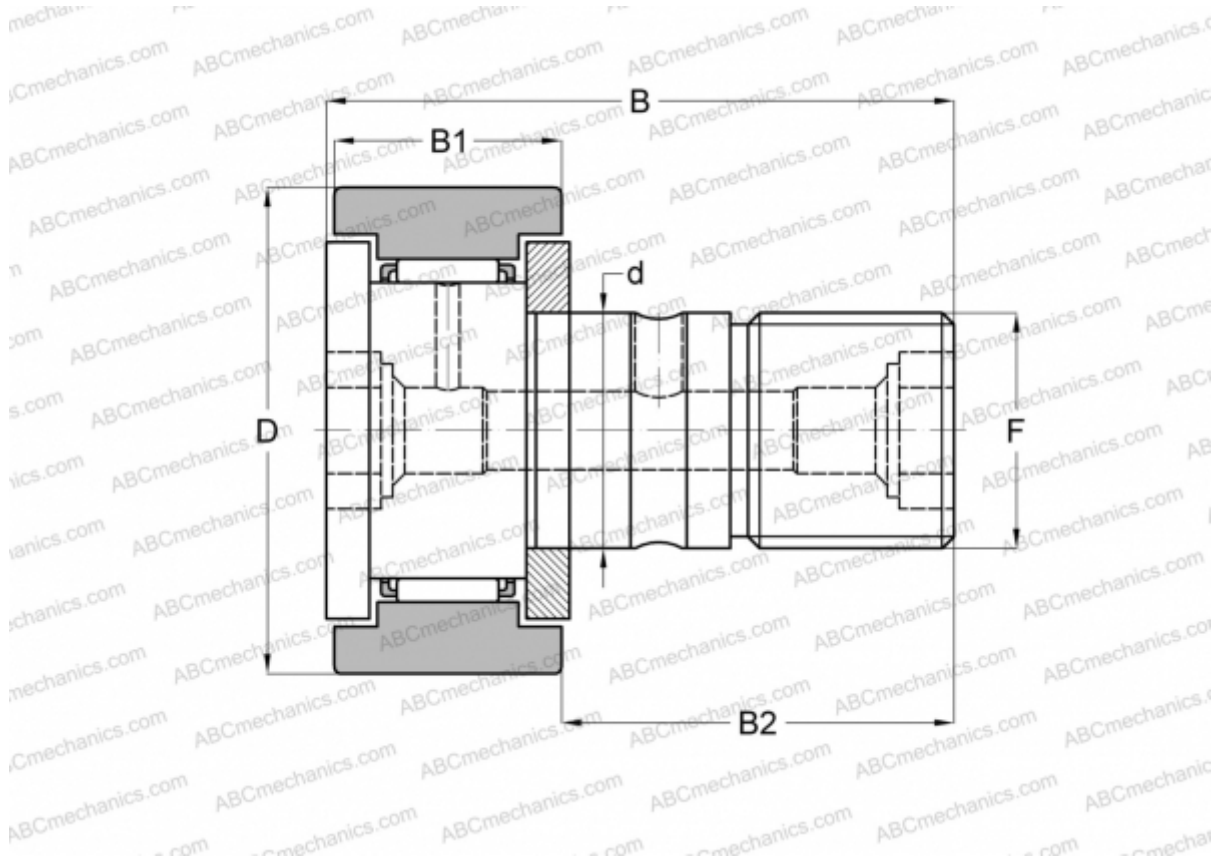


## CF 8 B IKO

Cam followers

TYPE: Roller bearings, Stud type track rollers, With axial guidance, gap seals on both side, cylindrical outer ring, hex hole



### Technical specification

#### DIMENSIONS, MM

d	8,000
D	19,000
B	32,200
B1	11,000
B2	20,000
F	M8x1.25

**WEIGHT, KG** 0,029

**MANUFACTURER** [IKO](#)

#### INTERCHANGE

ABC	<a href="#">CF 8 B</a>
INA	<a href="#">KR 19 XSK</a>
SKF	<a href="#">KR 19 XSK</a>
McGill	<a href="#">MCFR-19-BX</a>

#### CALCULATION DATA

Basic dynamic load rating, C	4,250 kN
Basic static load rating, Co	4,740 kN