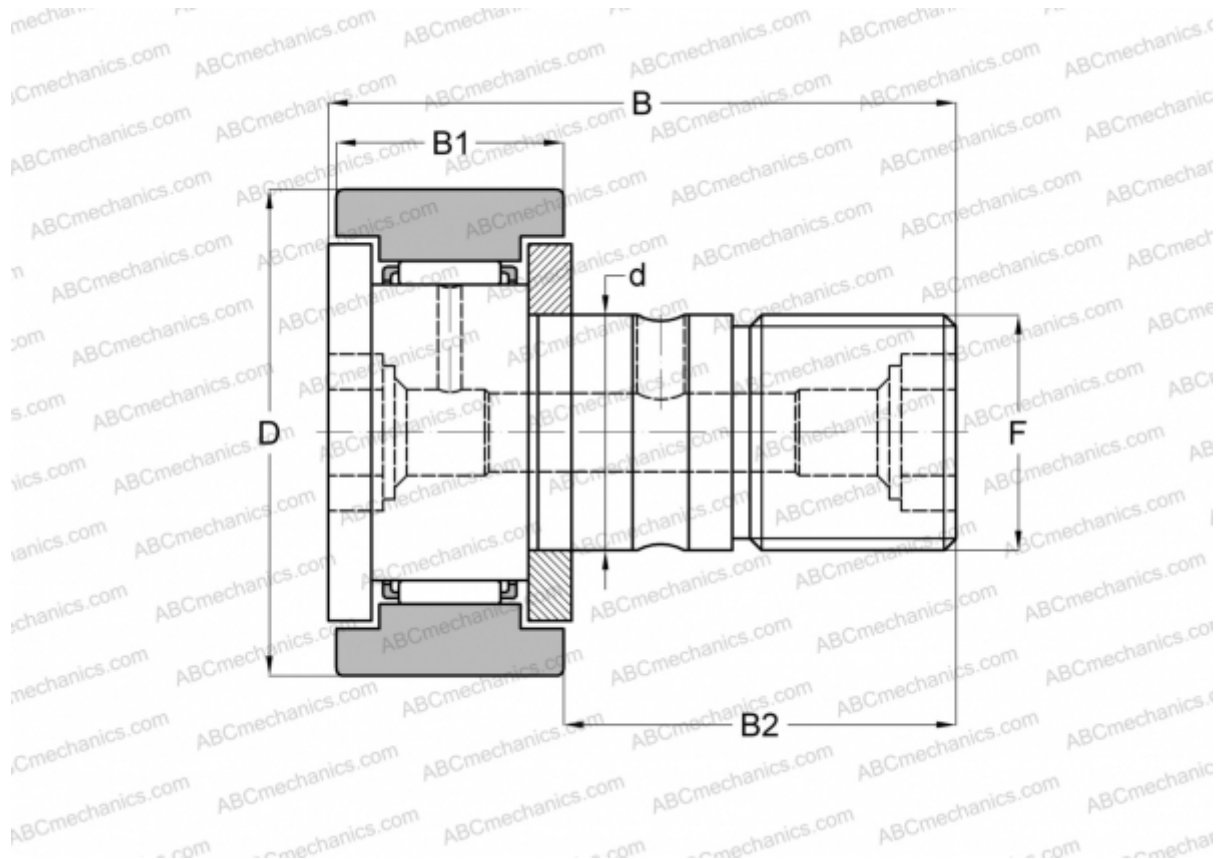


KR 52 XSK SKF

Cam followers

TYPE: Roller bearings, Stud type track rollers, With axial guidance, gap seals on both side, cylindrical outer ring, hex hole



Technical specification

DIMENSIONS, MM

d	20,000
D	52,000
B	66,100
B1	24,000
B2	40,500
F	M20x1.5

WEIGHT, KG 0,460

MANUFACTURER [SKF](#)

INTERCHANGE

ABC	CF 20 B
IKO	CF 20 B
INA	KR 52 XSK
McGill	MCFR-52-BX