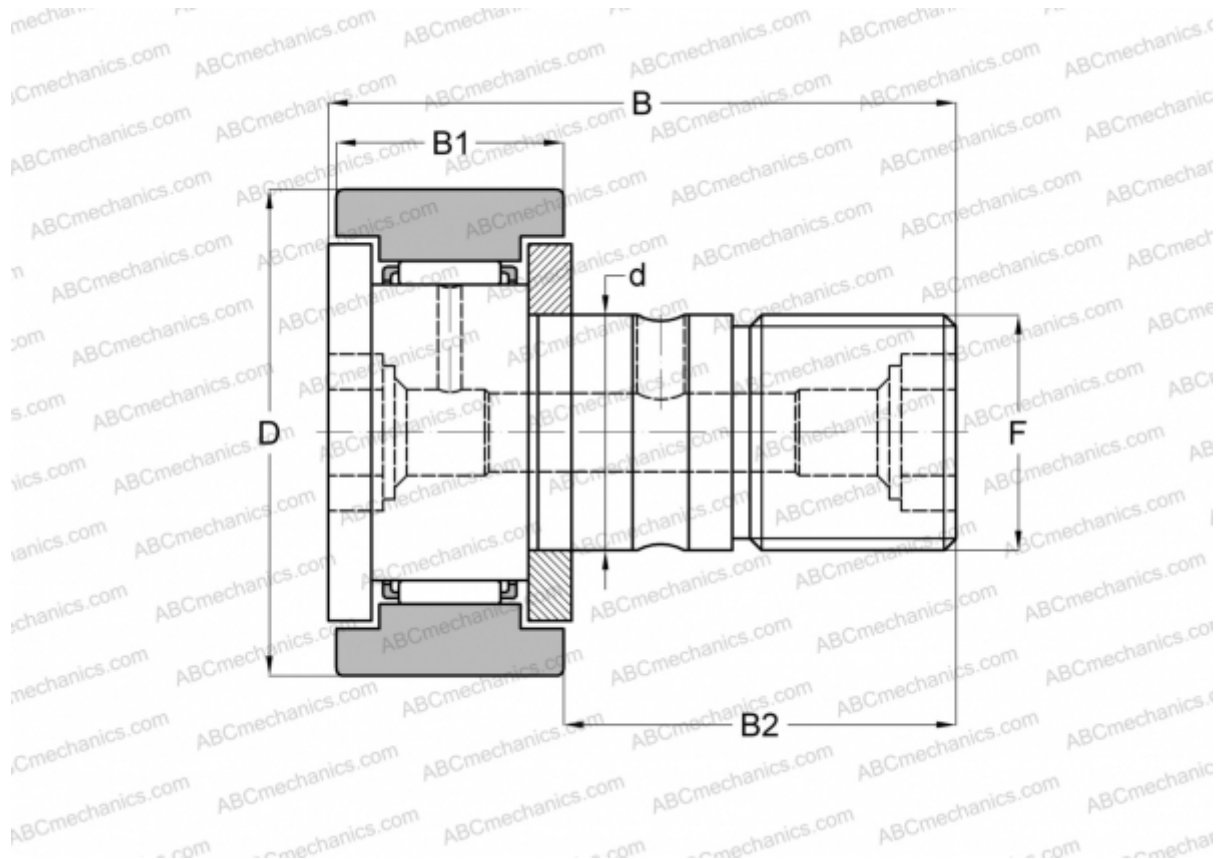


MCFR-80-BX McGill

Cam followers

TYPE: Roller bearings, Stud type track rollers, With axial guidance, gap seals on both side, cylindrical outer ring, hex hole



Technical specification

DIMENSIONS, MM

d	30,000
D	80,000
B	100,000
B1	35,000
B2	63,000
F	M30x1.5

WEIGHT, KG 1,870

MANUFACTURER [McGill](#)

INTERCHANGE

ABC	CF 30 B
IKO	CF 30 B
INA	KR 80 X
SKF	KR 80 X