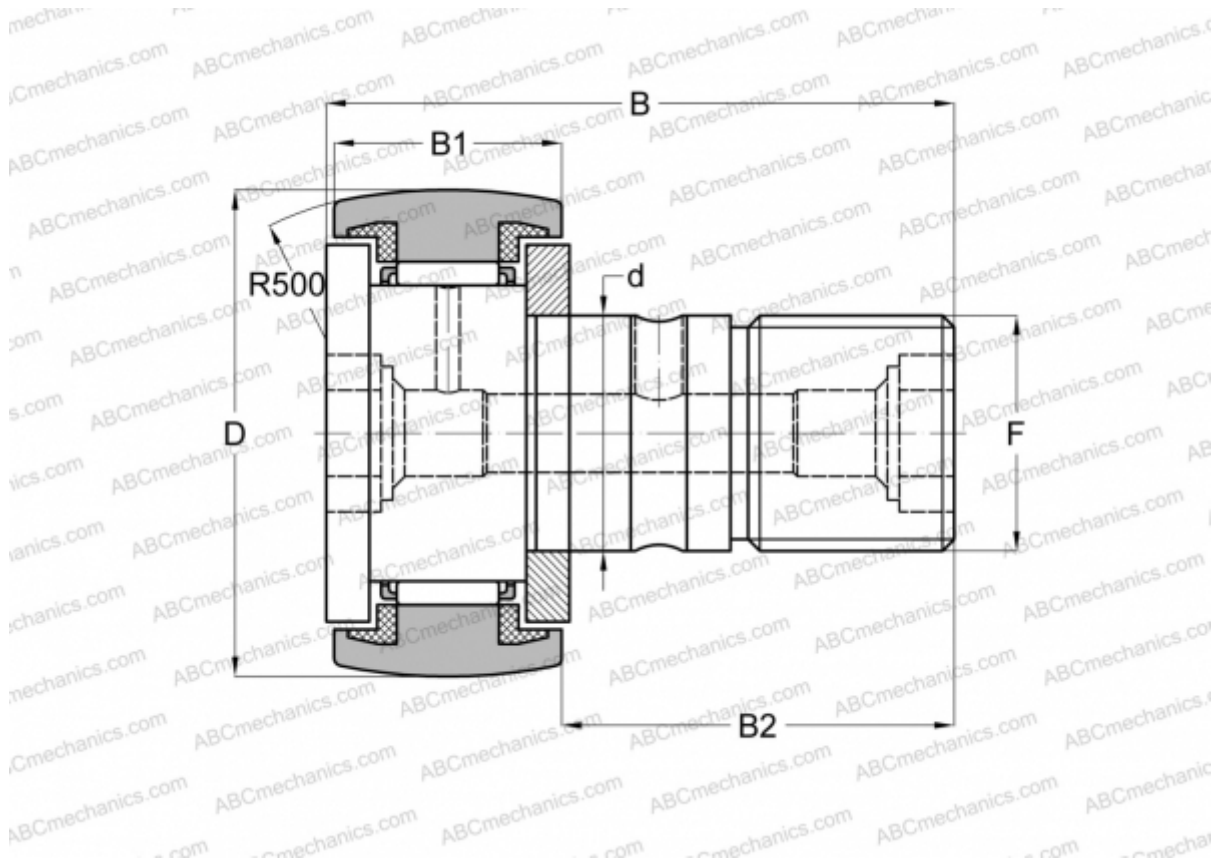


CF 5 BUUR IKO

Cam followers

TYPE: Roller bearings, Stud type track rollers, With axial guidance, sealing rings on both sides, hex socket



Technical specification

DIMENSIONS, MM

| | |
|----|--------|
| d | 5,000 |
| D | 13,000 |
| B | 23,000 |
| B1 | 9,000 |
| B2 | 13,000 |
| F | M5x0.8 |

WEIGHT, KG 0,010

MANUFACTURER [IKO](#)

INTERCHANGE

| | |
|--------|----------------------------|
| ABC | CF 5 BUUR |
| McGill | MCFR-13-SB |

CALCULATION DATA

| | |
|------------------------------|----------|
| Basic dynamic load rating, C | 2,520 kN |
|------------------------------|----------|

CALCULATION DATA

| | |
|------------------------------|----------|
| Basic static load rating, Co | 2,140 kN |
|------------------------------|----------|