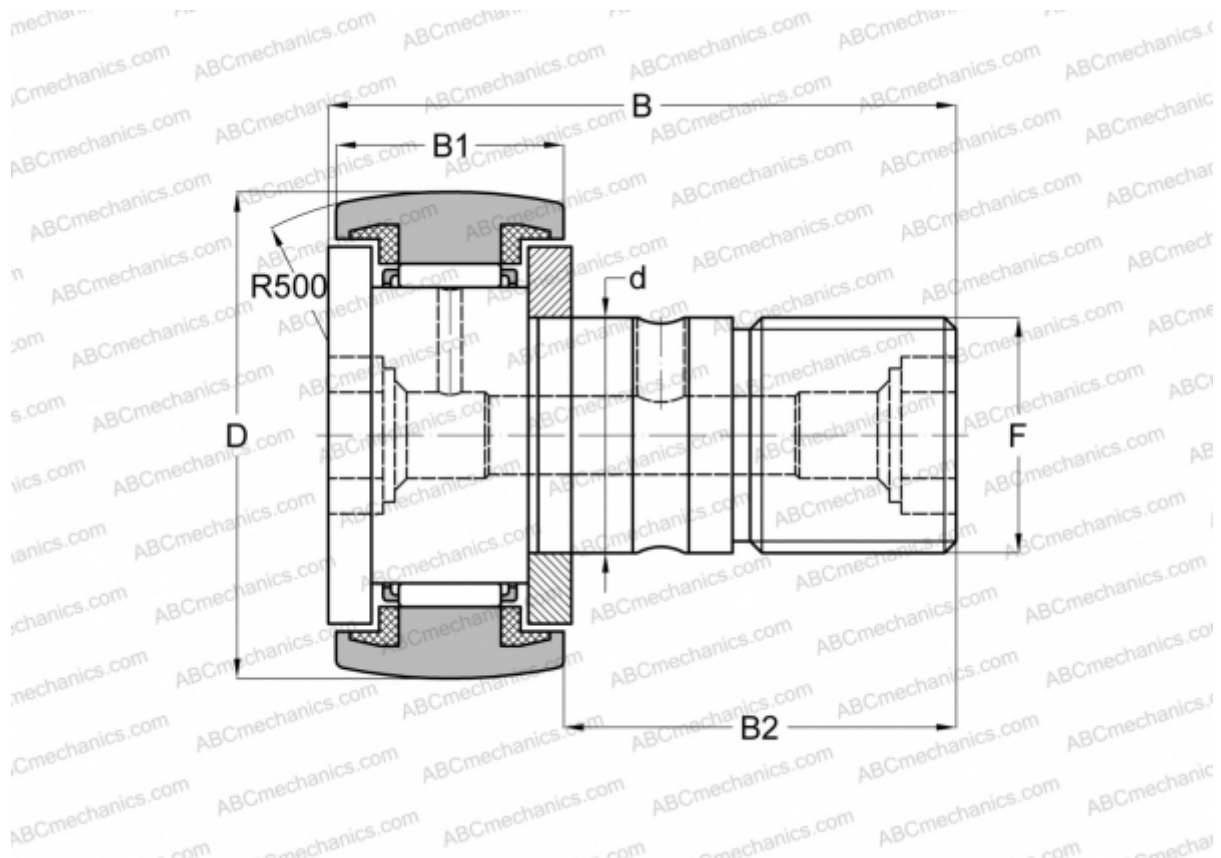


MCFR-13-SB McGill

Cam followers

TYPE: Roller bearings, Stud type track rollers, With axial guidance, sealing rings on both sides, hex socket



Technical specification

DIMENSIONS, MM

| | |
|----|--------|
| d | 5,000 |
| D | 13,000 |
| B | 23,000 |
| B1 | 9,000 |
| B2 | 13,000 |
| F | M5x0.8 |

WEIGHT, KG 0,010

MANUFACTURER [McGill](#)

INTERCHANGE

| | |
|-----|---------------------------|
| ABC | CF 5 BUUR |
| IKO | CF 5 BUUR |