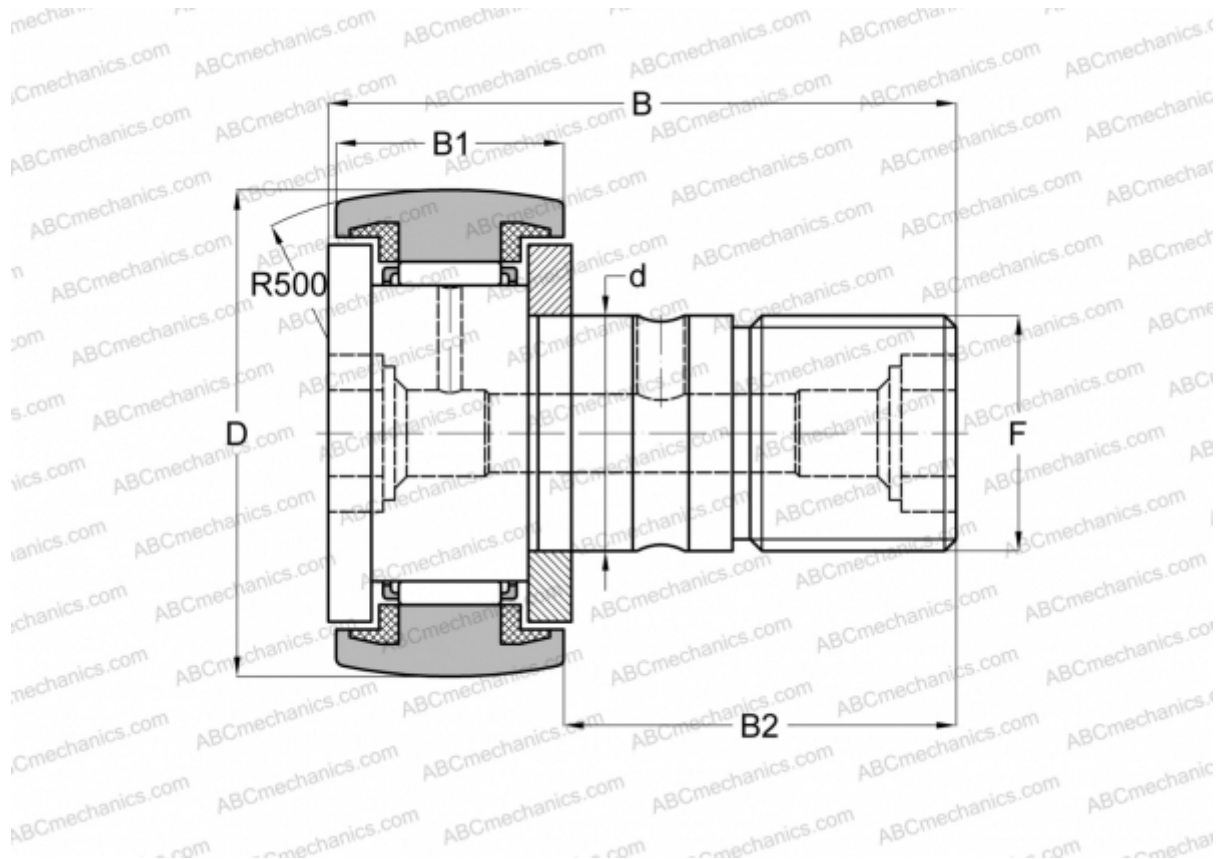


CF 6 BUUR ABC

Cam followers

TYPE: Roller bearings, Stud type track rollers, With axial guidance, sealing rings on both sides, hex socket



Technical specification

DIMENSIONS, MM

d	6,000
D	16,000
B	28,200
B1	11,000
B2	16,000
F	M6x1

WEIGHT, KG 0,019

MANUFACTURER [ABC](#)

INTERCHANGE

IKO	CF 6 BUUR
INA	KR 16 PPSK
SKF	KR 16 PPSK
McGill	MCFR-16-SB