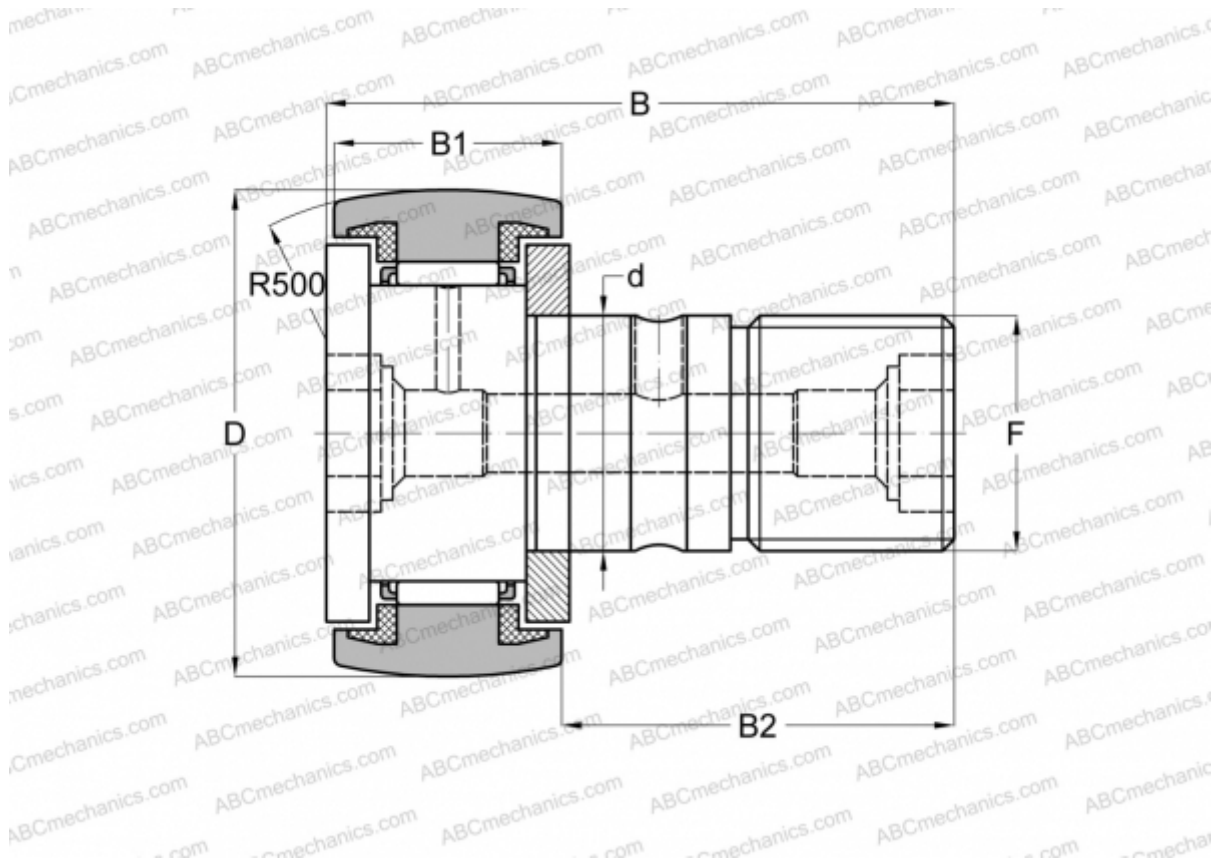


KR 26 PPSK INA

Cam followers

TYPE: Roller bearings, Stud type track rollers, With axial guidance, sealing rings on both sides, hex socket



Technical specification

DIMENSIONS, MM

d	10,000
D	26,000
B	36,200
B1	12,000
B2	23,000
F	M10x1

WEIGHT, KG 0,060

MANUFACTURER [INA](#)

INTERCHANGE

ABC	CF 10-1 BUURM
IKO	CF 10-1 BUURM
SKF	KR 26 PPSK
McGill	MCFR-26-SB