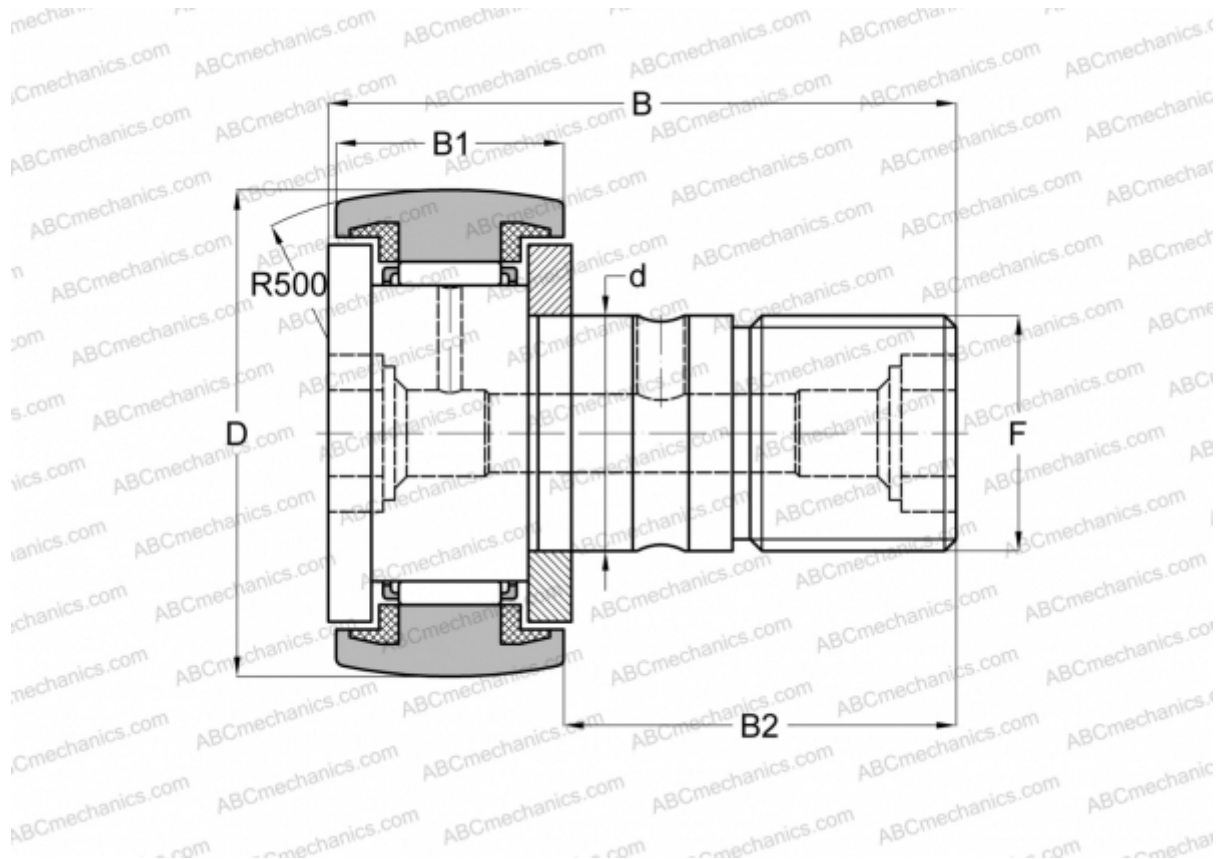


## KR 47 PPSK INA

Cam followers

TYPE: Roller bearings, Stud type track rollers, With axial guidance, sealing rings on both sides, hex socket



### Technical specification

#### DIMENSIONS, MM

d	20,000
D	47,000
B	66,100
B1	24,000
B2	40,500
F	M20x1.5

**WEIGHT, KG** 0,385

**MANUFACTURER** [INA](#)

#### INTERCHANGE

ABC	<a href="#">CF 20-1 BUUR</a>
IKO	<a href="#">CF 20-1 BUUR</a>
SKF	<a href="#">KR 47 PPSK</a>
McGill	<a href="#">MCFR-47-SB</a>