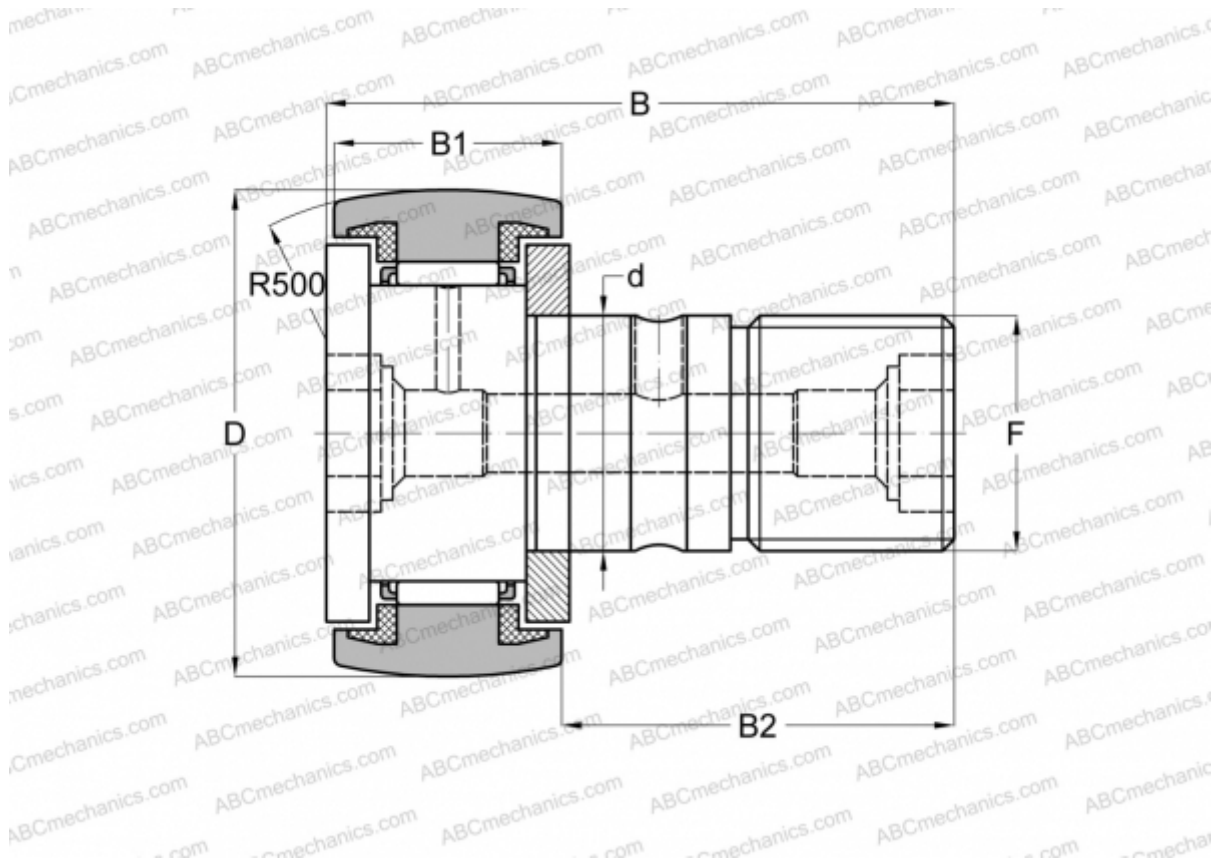


## CF 30 BUUR ABC

Cam followers

TYPE: Roller bearings, Stud type track rollers, With axial guidance, sealing rings on both sides, hex socket



### Technical specification

#### DIMENSIONS, MM

d	30,000
D	80,000
B	100,000
B1	35,000
B2	63,000
F	M30x1.5

**WEIGHT, KG** 1,870

**MANUFACTURER** [ABC](#)

#### INTERCHANGE

IKO	<a href="#">CF 30 BUUR</a>
INA	<a href="#">KR 80 PP</a>
SKF	<a href="#">KR 80 PP</a>
McGill	<a href="#">MCFR-80-SB</a>