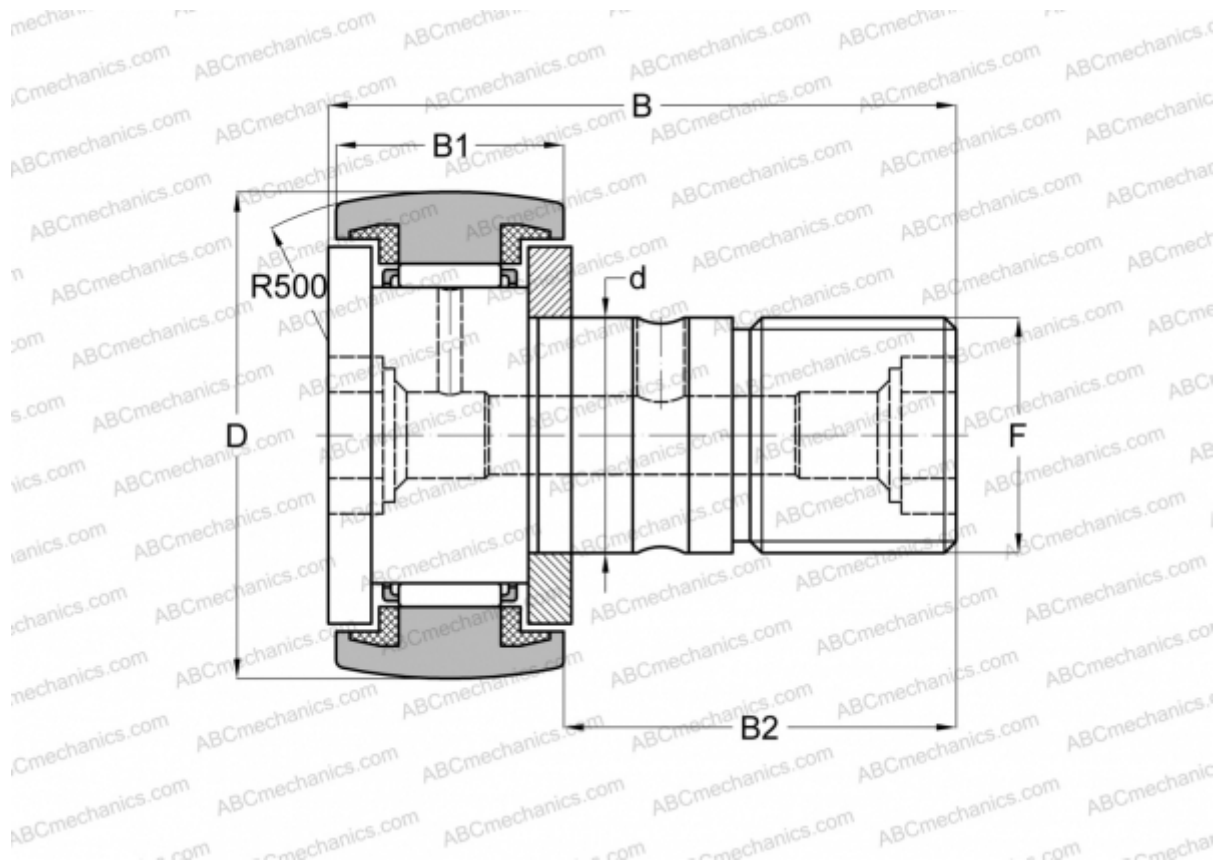


MCFR-85-SB McGill

Cam followers

TYPE: Roller bearings, Stud type track rollers, With axial guidance, sealing rings on both sides, hex socket



Technical specification

DIMENSIONS, MM

d	30,000
D	85,000
B	100,000
B1	35,000
B2	63,000
F	M30x1.5

WEIGHT, KG 2,030

MANUFACTURER [McGill](#)

INTERCHANGE

ABC	CF 30-1 BUUR
IKO	CF 30-1 BUUR
INA	KR 85 PP
SKF	KR 85 PP