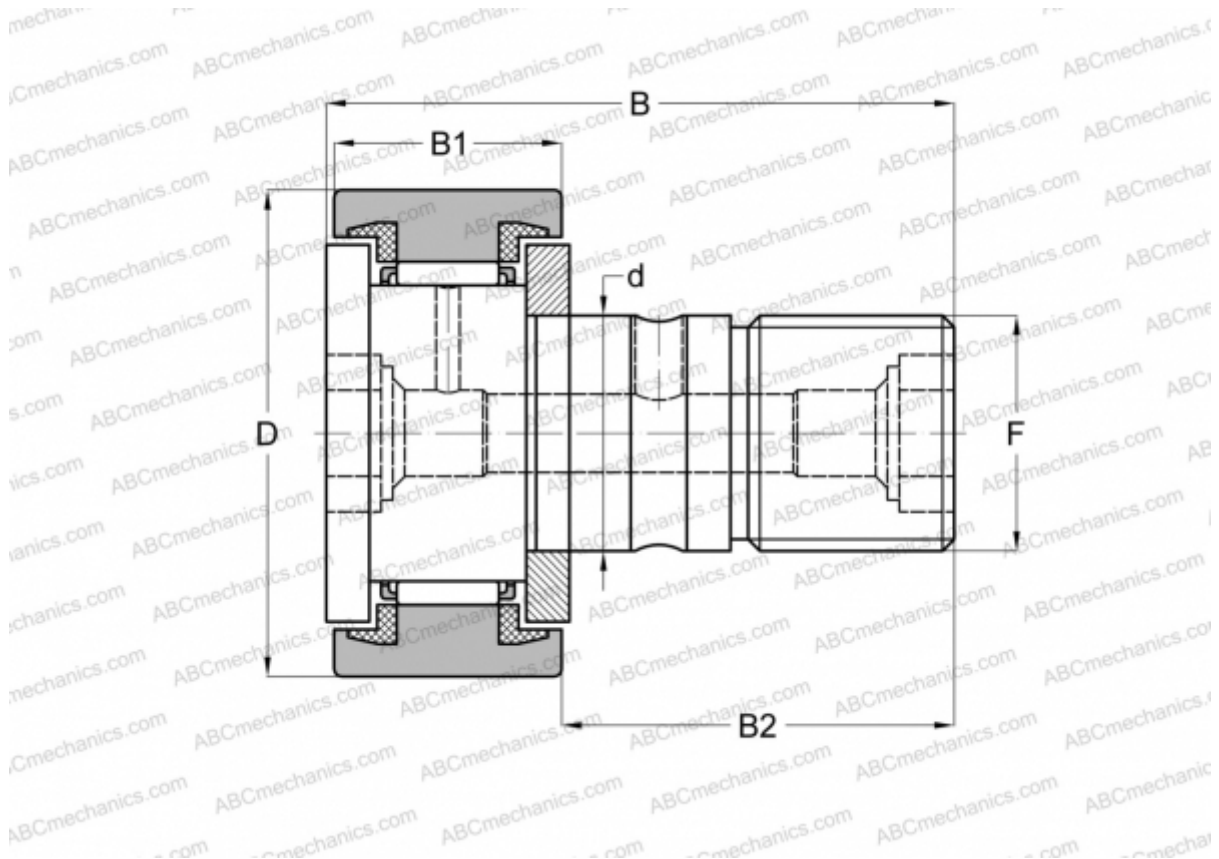


KR 16 PPXSK INA

Cam followers

TYPE: Roller bearings, Stud type track rollers, With axial guidance, sealing rings on both sides, cylindrical outer ring, hex socket



Technical specification

DIMENSIONS, MM

| | |
|----|--------|
| d | 6,000 |
| D | 16,000 |
| B | 28,200 |
| B1 | 11,000 |
| B2 | 16,000 |
| F | M6x1 |

WEIGHT, KG 0,019

MANUFACTURER [INA](#)

INTERCHANGE

| | |
|--------|-----------------------------|
| ABC | CF 6 BUU |
| IKO | CF 6 BUU |
| SKF | KR 16 PPXSK |
| McGill | MCFR-16-SB |