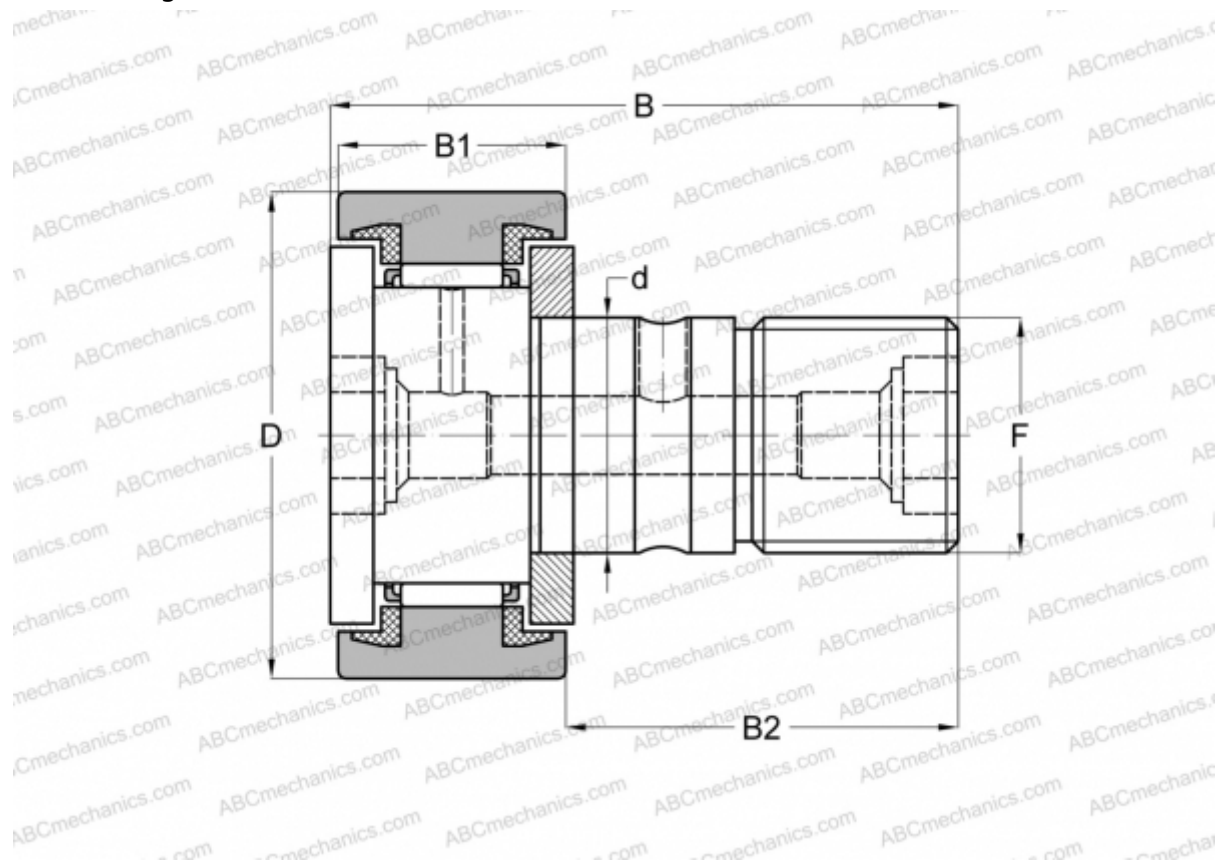


CF 8 BUU ABC

Cam followers

TYPE: Roller bearings, Stud type track rollers, With axial guidance, sealing rings on both sides, cylindrical outer ring, hex socket



Technical specification

DIMENSIONS, MM

d	8,000
D	19,000
B	32,200
B1	11,000
B2	20,000
F	M8x1.25

WEIGHT, KG 0,029

MANUFACTURER [ABC](#)

INTERCHANGE

IKO	CF 8 BUU
INA	KR 19 PPXSK
SKF	KR 19 PPXSK
McGill	MCFR-19-SB