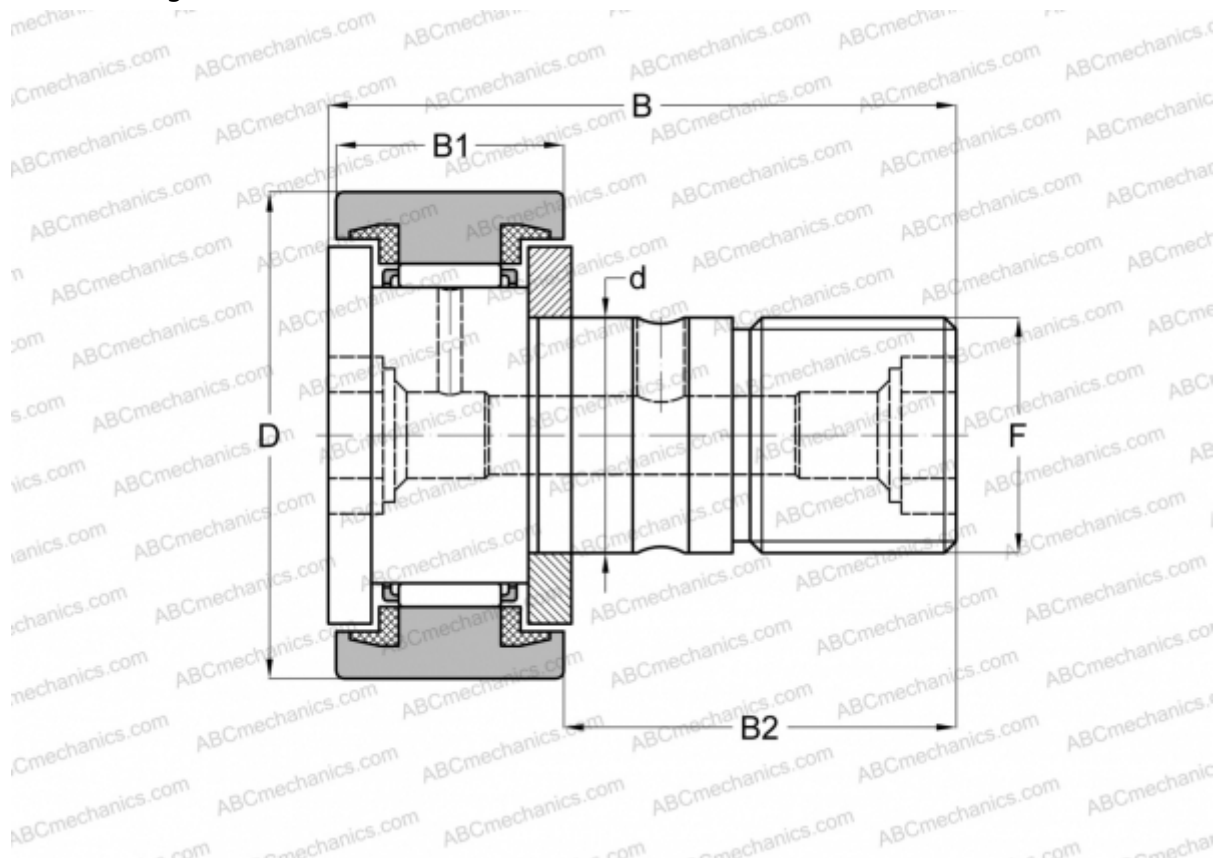


CF 10 BUU ABC

Cam followers

TYPE: Roller bearings, Stud type track rollers, With axial guidance, sealing rings on both sides, cylindrical outer ring, hex socket



Technical specification

DIMENSIONS, MM

d	10,000
D	22,000
B	36,200
B1	12,000
B2	23,000
F	M10x1.25

WEIGHT, KG 0,045

MANUFACTURER [ABC](#)

INTERCHANGE

IKO	CF 10 BUU
McGill	MCFR-22A-SB